

B-DD-5414387-0	ROM EXPANDER BOARD
D-UA-5414387-0	ROM EXPANDER BOARD
K-PL-5414387-0-DBP	ROM EXPANDER BOARD
D-CS-5414387-0	ROM EXPANDER BOARD
B-PL-7017627-0-0	LA34/LA38 USER KIT ASSY

TITLE	SIZE CODE	NUMBER	REV
LA34 UNIT ASSEMBLY	B TC	LA34-0-1	C
SHEET 2 OF 2			

"THE MATERIAL HEREIN IS FOR INFORMATION PURPOSES ONLY AND IS SUBJECT TO CHANGE WITHOUT NOTICE. DIGITAL EQUIPMENT CORPORATION ASSUMES NO RESPONSIBILITY FOR ANY ERRORS WHICH MAY APPEAR HEREIN."

DRAWING DIRECTORY

"THIS DRAWING AND SPECIFICATIONS, HEREIN, ARE THE PROPERTY OF DIGITAL EQUIPMENT CORPORATION AND SHALL NOT BE REPRODUCED OR COPIED OR USED IN WHOLE OR IN PART AS THE BASIS FOR THE MANUFACTURE OR SALE OF ITEMS WITHOUT WRITTEN PERMISSION. COPYRIGHT © 1978 DIGITAL EQUIPMENT CORPORATION.

UNIT VARIATIONS	
VAR	TITLE
LA34-DA	LA34 UNIT ASSY. (CHARCOAL TRIM)
LA34-PA	LA34 UNIT ASSY. (GREY TRIM, PRIVATE BRANDS)
LA34-JA	KATA-KANA LA34
LA34-AA	LA34- UNIT ASSY. (ENHANCED-CHARCOAL TRIM)
LA34-PB	LA34- UNIT ASSY. (ENHANCED-GRAY TRIM PRIVATE BRANDS)
LA34-AB	LA34-UNIT ASSY. (ENHANCED-COMPATIBLE W/EXTENDED MEM.)

REVISIONS		REV.
CHK	CHANGE NO.	REV.
JJ	LA34-PN011	A
	Alexander A. Khan 7/14/78	
	A. TAYLOR	
	A. Taylor 1/15/79	
JL	LA34-PN025	B
	James R. Olson 27 Jun 79	
	J. BITTO	
	B. Bitto 27 Jul 79	
CS	LA34-PN045	C
	LA34-PN049	D
	William Skinner 12 Dec 79	
	J. DESUK	
	J. Desuk 18 Dec 79	
	LA34-PN060	E
	Skinner 8 Jan 80	
	J. DESUK	
	J. Desuk 27 Jan 80	
	LA34-PN067	F
	Skinner 19 Feb 80	
	J. BITTO	
	J. Bitto 14 Feb 80	
	LA34-PN070	H
	Skinner 5 Mar 80	
	J. BITTO	
	J. Bitto 6 Mar 80	

USED ON OPTION/MODEL	DRN.	DATE	TITLE LA34 UNIT ASSY. digital			
	R. PUDFLEK	7 AUG 78				
	CHK'D.	DATE	SIZE	CODE	NUMBER	REV
	G. Nealy	31 AUG 78	B	DD	LA34-Ø	M
	PROJ. ENG.,	DATE	DIST.			
	Bill R. Glin	2/7/79				
SHEET 1 OF 6	PROD.	DATE				
	L. P. Min	2/7/79				

"THIS DRAWING AND SPECIFICATIONS, HEREIN, ARE THE PROPERTY OF DIGITAL EQUIPMENT CORPORATION AND SHALL NOT BE REPRODUCED OR COPIED OR USED IN WHOLE OR IN PART AS THE BASIS FOR THE MANUFACTURE OR SALE OF ITEMS WITHOUT WRITTEN PERMISSION. COPYRIGHT © 78 DIGITAL EQUIPMENT CORPORATION"

1
LA34 UNIT ASSY.
E-UA-LA34-0-0
B-PL-LA34-0-0

2
PRINTER MECH/COVER ASSY.
E-AD-7015724-0-0
B-PL-7015724-0-0

21
PACKAGING INSTRUCTIONS
A-SP-3700392-0-0

22
LA34 OPTIONS
LAX34-0-0

3
KEYBOARD BEZEL ASSY.
D-AD-7015730-0-0

7
PRINTER MECH. ASSY.
E-UA-7015729-0-0
B-PL-7015729-0-0

12
SERVO MOTOR/ENCODER ASSY.
D-AD-7015737-0-0

16
FRICTION ASSY.
D-AD-7015733-0-0

4
KEYBOARD/KEYCAP ASSY.
D-AD-7015514-0-0

8
PLATE SIDE ASSY. (LEFT HAND)
D-AD-7015732-0-0

13
GEAR/PULLEY CLUSTER ASSY.
B-IA-7015744-0-0

17
BAIL BAR ASSY.
C-AD-7015738-0-0

5
SPACER BAR ASSY.
D-AD-7015050-0-0

9
PLATE SIDE ASSY. (RIGHT HAND)
D-AD-7015731-0-0

14
CARRIAGE ASSY.
D-AD-7015734-0-0

18
PLATEN ASSY.
C-AD-7015727-0-0

6
KEYBOARD MODULE ASSY.
B-DD-5413284-0

10
POWER SUPPLY H7834
B-DD-H7834-0

15
PULLEY IDLER ASSY.
C-AD-7015735-0-0

19
LA34 LOGIC BOARD
B-DD-5413374-0

11
LA34 PRINT HEAD ASSY
B-DD-7015490-0

25
USERS KIT ASSY
B-PL-7017627-0-0

20
PRINTHEAD ADJ. ASSY.
B-IA-7016303-0-0

23
LA34 CONTROL BOARD
B-DD-5413747-0

24
ROM EXPANDER BOARD
B-DD-5414387-0

28	LA34-PN071	J
	Skinner 17 MAR 80	
	J. BITTO	
	M. Benck 25 MAR 80	
28	LA34-PN072	K
	Skinner 7 MAY 80	
	J. BITTO	
	J. B. Bitt (C.S. 7) 09 MAY 80	
28	LA34-PN075	L
	Bridges 21 Oct 80	
	J. BITTO	
	E.F. Neal 12 NOV 80	
28	7015737-PN5A	M
	E. Gilbert 24 Nov. 80	
	J. BITTO	
	E.F. Neal 24 NOV 80	

TITLE	LA34 UNIT ASSY.	SHEET 2 OF 6	SIZE CODE	B DD	NUMBER	LA34-0	REV	M
-------	-----------------	--------------	-----------	------	--------	--------	-----	---

FIND NO.	DRAWING NO.	DESCRIPTION	TYPE	FIND NO.	DRAWING NO.	DESCRIPTION	TYPE
1	MP00695	LA34 PRINT SET ORDER NO. (MP)	-		A-SP-7015490-0-1	LA34 PRINT HEAD (REF)	E/M
	B-TC-LA34-0-1	LA34 FIELD MAINTENANCE PRINT SET (TC)	-				
	E-UA-LA34-0-0	LA34 UNIT ASSY	M				
	B-PL-LA34-0-0	LA34 UNIT ASSY (PL)	M				
	D-IC-LA34-0-2	INTERCONNECTION DIAGRAM	F				
	1700683-0-0	CORD, A.C. PWR	E/M	3	D-AD-7015730-0-0	KEYBOARD BEZEL ASSY.	M
	3616153-0-0	LABEL, 230V A.C. 50/60 HZ	#		1215297-0-0	BEZEL, KEYBOARD	M
	B-PL-LA34-0	LA34 SHIPPING LIST	-		1215053-0-0	CLOSURE, OPTION	M
	3611448-0-0	LABEL, WARNING A.C. CORD	#		1215295-0-0	PLUG, KEY SWITCH	M
	3616157-0-0	LABEL CORRECT VOLTAGE SETTING	#		3615450-0-0	LEGEND STRIP	M
	A-SP-LA34-0-3	BASIC LA34 PRINT QUALITY SPEC	M				
	3612520-0-0	TAG, HANG, CAUTION	#				
	A-SP-LA34-0-4	BASIC LA34 PRODUCT SPECIFICATION	E/M				
	A-SP-LA34-0-12	LA34-JA KATA-KANA PRODUCT SPECIFICATION	-				
				4	D-AD-7015514-0-0	KEYBOARD/KEYCAP ASSY.	E/M
					C-MD-7420120-0-0	CLIP, EQUALIZER	M
					C-IA-7015741-0-0	CABLE, KEYBOARD ASSY.	E/M
					1214333-0-0	CAPS, KEY SET	M
					1214332-0-0	ADAPTER, KEY CAP	M
	A-SP-LA34-0-11	LA34 SPECIFICATIONS & VERIFICATION PROCEDURE	M				
				5	D-AD-7015050-0-0	SPACER BAR ASSY	M
					B-MD-7420119-0-0	BRACKET, SPACER BAR	M
					1211857-0-0	BAR, SPACE	M
					1211858-0-0	BAR, EQUALIZER	M
					1211860-0-0	ADAPTER, SPACE BAR	M
2	E-AD-7015724-0-0	PRINTER MECH./COVER ASSY	E/M				
	B-PL-7015724-0-0	PRINTER MECH./COVER ASSY (PL)	E/M				
	C-IA-7015386-0-0	CABLE ASSY EIA	E/M	6	B-DD-5413284-0	KEYBOARD MODULE ASSY	E/M
	B-IA-7016304-0-0	MAGNET	M				
	1215296-0-0	BASE, HOUSING	M				
	1215292-0-0	INSERT, REAR	M				
	1215451-0-0	PLUG, BUTTON	M				
	3616153-0-0	LABEL, PWR REQUIREMENTS	M				
	1215291-0-0	COVER, HOUSING	M				
	1215651-0-0	PLUG, TRACTOR	M				
	1215293-0-0	GUIDE, PAPER EDGE	M				
	1215299-0-0	BEZEL, TOP	M				
	1215298-0-0	COVER, ACCESS	M				
	3615634-0-0	LABEL, COLUMN INDICATOR	M				
	3616155-0-0	LABEL, RIBBON CARTRIDGE SWITCH	M				
	1215719-0-0	WINDOW, SAFETY	M				
	1215479-0-0	LOGO	M				

TYPE: E ELECTRICAL
M MECHANICAL
E/M ELECTRO/MECHANICAL

digital

TITLE

LA34 UNIT ASSY.

SHEET 3 OF 6

SIZE CODE
B DD

NUMBER
LA34-0

REV
M

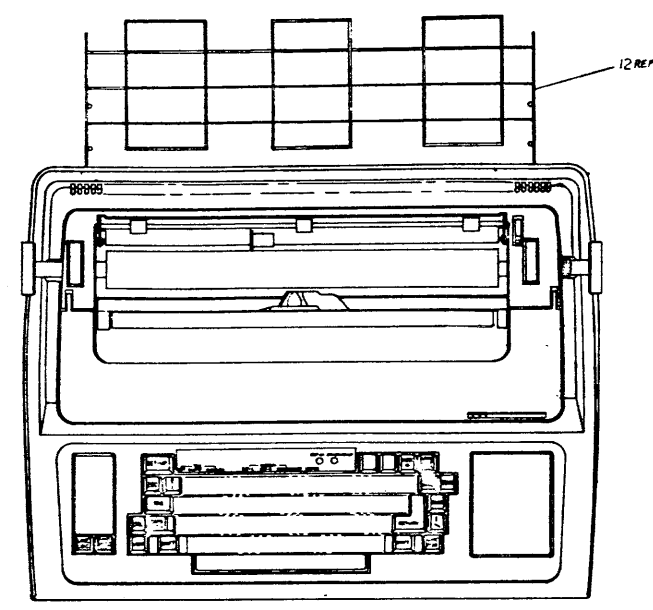
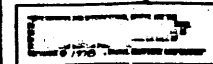
FIND NO.	DRAWING NO.	DESCRIPTION	TYPE	FIND NO.	DRAWING NO.	DESCRIPTION	TYPE
12	D-AD-7015737-0-0	SERVO MOTOR/ENCODER ASSY	E/M	15	C-AD-7015735-0-0	PULLEY IDLER ASSY.	M
	D-MD-7420740-0-0	BRACKET MOTOR MOUNTING	M		1215592-0-0	PULLEY IDLER	M
	C-IA-7015740-0-0	CABLE SERVO MOTOR	E/M		1215357-0-0	SHAFT IDLER PULLEY	M
	1915671-0-0	OPTICAL ENCODER, DETECTOR	E/M				
	1215633-0-0	MOTOR	E/M				
	C-MD-7424735-0-0	PULLEY, DRIVE 18 T-080P	M				
	1215589-0-0	DISK, ENCODER	M	16	D-AD-7015733-0-0	FRICTION ASSY.	M
	1215603-0-0	DUST CAP ENCODER	M		1215358-0-0	SHAFT FRICTION	M
	1215604-0-0	BACKPLATE, ENCODER	M		1215524-0-0	BUSHING	M
	1215397-0-0	STUD COMBINATION PULLEY	M		1215551-0-0	SPRING	M
	1215399-0-0	SPACER	M		1215349-0-0	ARM ROCKER	M
	1215937-0-0	BEARING SLEEVE	M		1215355-0-0	ROCKER	M
	1215915-0-0	BELT 90 T.25 WIDE	M		1215356-0-0	ROLLER, FRONT PAPER FEED	M
	1215926-0-0	BUSHING BELT TENSIONING	M		1215359-0-0	ROLLER, REAR PAPER FEED	M
	3613214-0-0	LABEL, ADHESIVE BACKED	M				
13	B-IA-7015744-0-0	GEAR/PULLEY CLUSTER ASSY.	M	17	C-AD-7015738-0-0	BAIL BAR ASSY.	M
	1215591-0-0	GEAR/PULLEY CLUSTER	M		1215330-0-0	ROLLER ASSY. (BAIL BAR)	M
	1215523-0-0	BEARING	M		1215331-0-0	ARM, BAIL BAR	M
					1215332-0-0	BAIL BAR	M
					1215333-0-0	TEAR EDGE	M
14	D-AD-7015734-0-0	CARRIAGE ASSY.	M				
	B-MD-7414845-0-0	BUSHING, PLAIN	M				
	C-MD-7414835-0-0	SPRING, FRONT BEARING	M				
	B-MD-7420874-0-0	WICK OIL	M	18	C-AD-7015727-0-0	PLATEN ASSY.	M
	1215194-0-0	FRAME CARRIAGE	M		1215351-0-0	PLATEN KNOB ASSY.	M
	1215317-0-0	BEARING SELF ALIGN	M		1215288-0-0	GEAR, TRACTOR	M
	1215318-0-0	RETAINER BEARING	M		1215289-0-0	BEARING, PLAIN	M
	1215522-0-0	BRKT. CABLE SUPPORT	M		1215290-0-0	PLATEN SUB ASSEMBLY	M
	1215455-0-0	SPRING, OIL WICK	M		1215353-0-0	BEARING, PLASTIC	M
	1215346-0-0	PULLEY, RIBBON DRIVE	M		1215400-0-0	CLUTCH, DISK	M
	1215548-0-0	SHAFT RIBBON DRIVE	M		1215352-0-0	CLUTCH/GEAR, PAPER DRIVE	M
	1211651-0-0	CLUTCH BEARING (ONE WAY)	M		1215354-0-0	CLUTCH, HUB	M
	1215515-0-0	WASHER	M		1215552-0-0	SPRING, COMPRESSION	M
	1215454-0-0	SPRING, OIL WICK	M		1215562-0-0	WASHER, CLUTCH	M
	1215362-0-0	BELT, TIMING	M				
	1215751-0-0	BELT CLIP	M				

TYPE: E ELECTRICAL M MECHANICAL E/M ELECTRO/MECHANICAL		TITLE LA34 UNIT ASSY.	SHEET 5 OF 6	SIZE CODE B DD	NUMBER LA34-0	REV M
--	--	--------------------------	--------------	-------------------	------------------	----------

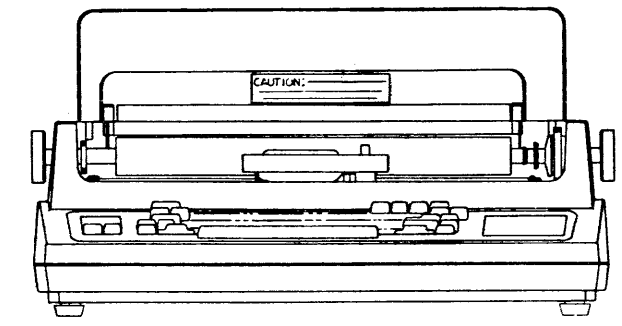
DRB 108A

FIND NO.	DRAWING NO.	DESCRIPTION	TYPE	FIND NO.	DRAWING NO.	DESCRIPTION	TYPE		
19	B-DD-5413374-0	LA34 LOGIC BOARD	E/M						
20	B-IA-7016303-0-0 1216035-0-0 B-MD-7451765-0-0	PRINT HEAD ADJ. ASSY SLIDE, HD. ADJUSTMENT LEVER, HD. ADJ.	M M M						
21	A-SP-3700392-0-0	INSTRUCTIONS, PACKAGING	M						
22	LAX34-0-0 B-DD-LAX34-AL B-DD-LAX34-CL B-DD-LAX34-KL B-DD-LAX34-LL B-DD-LAX34-ML B-DD-LAX34-PL B-DD-LAX34-RL B-DD-LAX34-SL B-DD-LAX34-SN B-DD-LAX34-XL B-DD-LAX34-UP B-DD-LAX34-PC	OPTIONS LA34 TRACTOR OPTION 20 MA OPTION KEYPAD PAPER LOW OPTION MODEM/DAA OPTION PAPER OUT SWITCH KIT ROLL PAPER HOLDER STAND LA34/LA38 HARDWARE KIT FOR LAX34-SL EXTENDED LOGIC UPGRADE KIT PAPER CATCHER	E/M E/M E/M E/M E/M E/M E/M E/M E/M E/M E/M E/M E/M M						
23	B-DD-5413747-0-0	LA34 CONTROL BOARD	E/M						
24	B-DD-5414387-0-0 D-IA-7C1370-0-0	ROM EXPANDER BOARD CABLE ASSEMBLY							
25	B-PL-7017627-0-0	USERS KIT ASSY	M						
TYPE: E ELECTRICAL M MECHANICAL E/M ELECTRO/MECHANICAL			digital		TITLE LA34 UNIT ASSY.		SIZE CODE B DD	NUMBER LA34-0	REV M

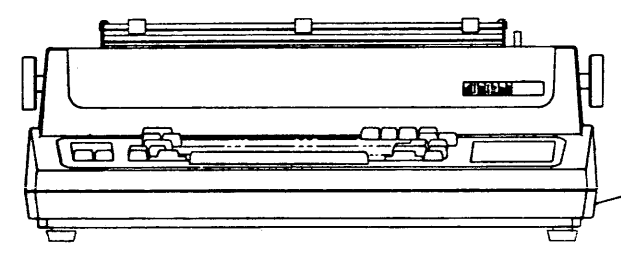
EN-01062-2C-16-R376-(325)



TOP VIEW

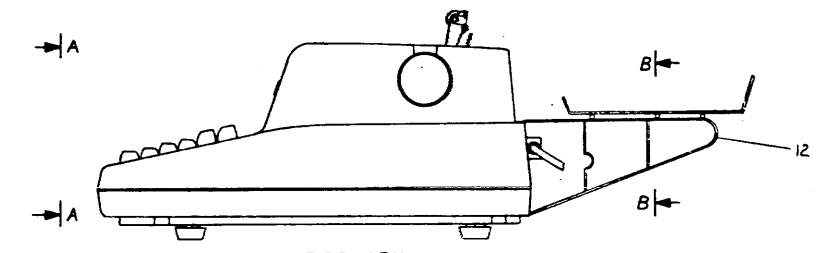


VIEW A-A
VIEW SHOWN WITH ACCESS COVER RAISED

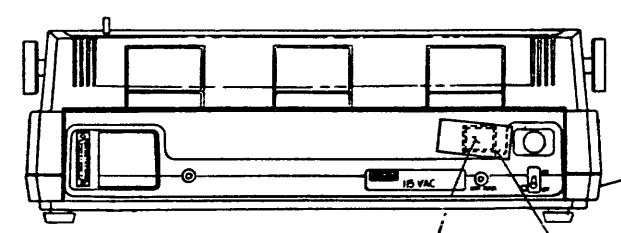


FRONT VIEW

11
OR
1
OR
13
OR
6
OR
14

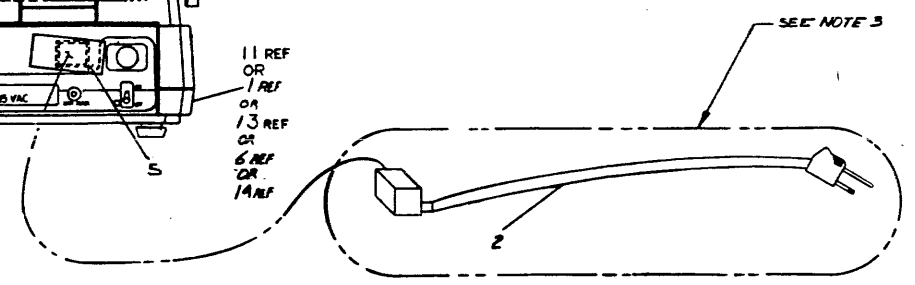


SIDE VIEW



VIEW B-B

11 REF
OR
1 REF
OR
13 REF
OR
6 REF
OR
14 REF



- NOTES:
1. FOR INTERCONNECTION DIAGRAM REFER TO D-IC-LA34-0-2.
 2. MOVE CARRIAGE TO LEFT HAND STOP. SECURE WITH CABLE TIE. ITEM #5, TIE PRINTED CAUTION. TIE ITEM #4 SECURELY TO THE CABLE TIE.
 3. PLACE AC POWER CORD ITEM #2, POWER REQUIREMENT LABEL ITEM #10 AND FUSE, PART OF ITEM 1, IN SEPARATE PACKAGE PER PACKING INSTRUCTIONS ITEM 8.
 4. ITEM 12, PAPER CATCHER IS OPTIONAL.
 5. ITEM 15, FCC CARTON LABEL, IS REFERENCED ON THE PACKAGE INSTRUCTION, P/N 5780-192-0-0

1	LA34-PROG. A	1
2	LA34-PROG. B	1
3	LA34-PROG. C	1
4	LA34-PROG. D	1
5	LA34-PROG. E	1
6	LA34-PROG. F	1
7	LA34-PROG. G	1
8	LA34-PROG. H	1
9	LA34-PROG. I	1
10	LA34-PROG. J	1
11	LA34-PROG. K	1
12	LA34-PROG. L	1
13	LA34-PROG. M	1
14	LA34-PROG. N	1
15	LA34-PROG. O	1
16	LA34-PROG. P	1
17	LA34-PROG. Q	1
18	LA34-PROG. R	1
19	LA34-PROG. S	1
20	LA34-PROG. T	1
21	LA34-PROG. U	1
22	LA34-PROG. V	1
23	LA34-PROG. W	1
24	LA34-PROG. X	1
25	LA34-PROG. Y	1
26	LA34-PROG. Z	1

FOR PARTS LIST SEE K-PL-LA34-0-DBP

QTY	DESCRIPTION	REF. NO.	UNIT
1	LA34 UNIT ASSY		
1	LA34-PROG. A		
1	LA34-PROG. B		
1	LA34-PROG. C		
1	LA34-PROG. D		
1	LA34-PROG. E		
1	LA34-PROG. F		
1	LA34-PROG. G		
1	LA34-PROG. H		
1	LA34-PROG. I		
1	LA34-PROG. J		
1	LA34-PROG. K		
1	LA34-PROG. L		
1	LA34-PROG. M		
1	LA34-PROG. N		
1	LA34-PROG. O		
1	LA34-PROG. P		
1	LA34-PROG. Q		
1	LA34-PROG. R		
1	LA34-PROG. S		
1	LA34-PROG. T		
1	LA34-PROG. U		
1	LA34-PROG. V		
1	LA34-PROG. W		
1	LA34-PROG. X		
1	LA34-PROG. Y		
1	LA34-PROG. Z		

DIGITAL EQUIPMENT CORPORATION PARTS LIST

MADE BY D. PUDELKO	CHECKED <i>D. Ward</i>	SECTION
DATE 31 JUL '78	DATE 6 FEB 79	1
ENG <i>R. Loutmanche</i>	PROD	ISSUED SECTION
DATE 6 FEB 79	DATE <i>Leo Fin</i> 6 FEB 79	1

QUANTITY / VARIATION

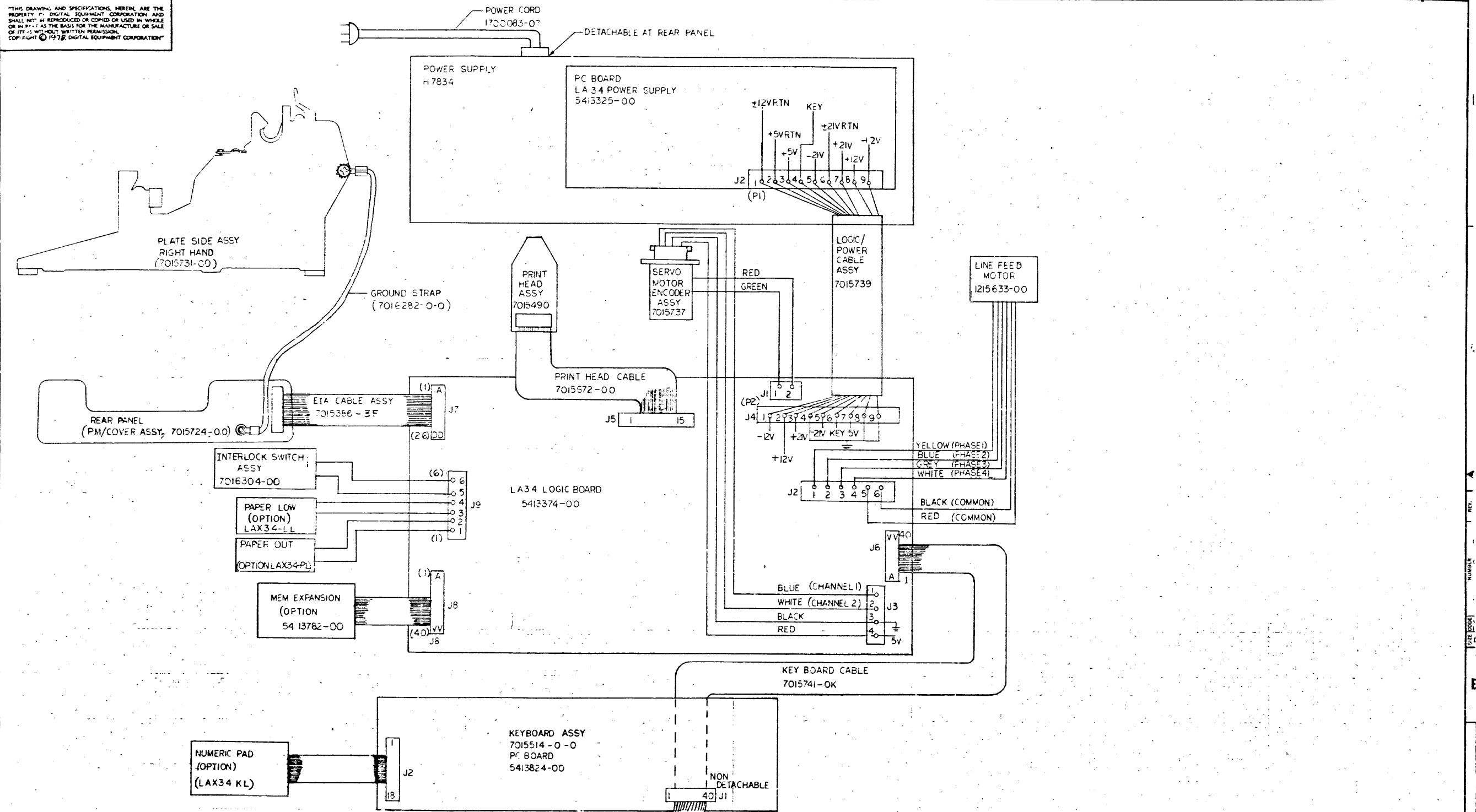
NOTES:

ITEM NO.	DRAWING NO.	PART NO.	DESCRIPTION	LA34-DA	REF DESIGNATION
1	E-AD-7015724-0-0	7015724-00	PRINTER MECH/COVER ASSY.	1	
2		1700083-11	CORD, POWER A.C.	1	
3		9007032-00	TIE, CABLE	1	
4		3612520-00	TAG, HANG, PRINTED "CAUTION"	1	
5		3616157-00	LABEL, CORRECT VOLT SETTING	1	
6		3611448-00	LABEL, WARNING A.C. CORD	1	
7	LB-PL-LA34-Ø		SHIPPING LIST LA34	1	
8	A-SP-3700392-0-0	3700392-00	INSTRUCTIONS, PACKAGING	1	
9	D-IC-LA34-Ø-2		DIAGRAM, INTERCONNECTION	REF	
10		3616153-01	LABEL, PWR REQ. 230VAC	1	

E.C.O. NO.

THIS DRAWING AND SPECIFICATIONS, HEREIN, ARE THE PROPERTY OF DIGITAL EQUIPMENT CORPORATION AND SHALL NOT BE REPRODUCED OR COPIED OR USED IN WHOLE OR IN PART AS THE BASIS FOR THE MANUFACTURE OR SALE OF ITEMS WITHOUT WRITTEN PERMISSION. COPYRIGHT © 1979 DIGITAL EQUIPMENT CORPORATION	TITLE <p style="text-align: center;">LA34 UNIT ASSY.</p>	ASSY NO. <p style="text-align: center;">E-UA-LA34-Ø-Ø</p>	SIZE <p style="text-align: center;">B</p>	CODE <p style="text-align: center;">PL</p>	NUMBER <p style="text-align: center;">LA34-Ø-Ø</p>	REV.
		SHEET 1 OF 1	INSERTION PARTS LIST DATA BASE REV			

THIS DRAWING AND SPECIFICATIONS HEREIN ARE THE PROPERTY OF DIGITAL EQUIPMENT CORPORATION AND SHALL NOT BE REPRODUCED OR COPIED OR USED IN WHOLE OR IN PART AS THE BASIS FOR THE MANUFACTURE OR SALE OF ANY DEVICE WITHOUT WRITTEN PERMISSION. COPYRIGHT © 1978, DIGITAL EQUIPMENT CORPORATION



DRN. DESIGNER: <i>John P. ...</i>	FIRST USED ON: LA34	digital
CHK'D BY: <i>...</i>	TITLE: INTERCONNECTION DIAGRAM	
ENG. DATE: <i>...</i>	NEXT HIGHER ASSY: E-UA-LA34-0-0	
PROD. DATE: <i>...</i>	SIZE: D	CODE: IC LA34-0-2
SCALE: NONE	NUMBER: 1	REV.:
SHEET 1 OF 1	DIST.:	

REV.:	NO.	DATE
1		

DRAWING NO.	NO. OF SHTS.	PART NO.	DESCRIPTION	REVISIONS																									
				A	B	C	D	E	F	G	H	I	J	K	L	M	N	O	P	Q	R	S	T	U	V	W	X	Y	Z
			MODULE REVISION	*	A	B	-	-	-	-	-	-	-	-	-	-	-	-	-	-	-	-	-	-	-	-	-	-	
B-DD-5413374-0	1		LA34 LOGIC BD.	*	A	B	C	D	E	F	G	H	I	J	K	L	M	N	P	R	S	T							
D-UA-5413374-0-0	3		LA34 LOGIC BD.	C	D	E	F	G	H	I	J	K	L	M	P	R	S	S	T	U	U								
D-CS-5413374-0-1	5		LA34 LOGIC BD.	C	D	E	F	F	H	J	K	L	M	P	R	S	T	U	V	W									
D-MD-5013373-0-0	4		DRILL & ETCH DRAWING	C	D	D	E	E	E	E	E	E	E	E	E	E	E	E	E	E	F	F							
		5013373	ETCHED BOARD	D	D	D	E	E	E	E	E	E	E	E	E	E	E	E	E	E	E								
K-PL-5413374-0-DBP	-		PARTS LIST DATA BASE(5413374)	C	D	E	F	H	J	K	L	M	N	P	R	S	T	U	V	V									
K-PC-5413374-0-DBC	-		P.C. DESIGN DATA BASE(5413374)	A	A	A	B	B	B	B	B	B	B	B	B	B	B	B	B	E	E	E							
D-CS-5013373-0-0	1		ETCH CUT DRAWING	-	-	-	-	-	-	-	-	-	-	-	-	-	-	-	-	-	-	-	-	-	-	-	-	A	

NOTES:

REVISIONS		DATE	CHG NO.	ORIG.	REV.	*	A	B	C	D	E	F	H	J	K	L	M	N	P	R	S	T						
		6/79																										
		1/79		PN001																								
		6/79		PN002																								
		6-79		PN003																								
		6-79		PN004																								
		7-79		PN005																								
		11-79		PN006																								
		1-80		PN007																								
		2-80		PN008																								
		2-80		PN009																								
		3-80		PN010																								
		3-80		PN011																								
		4-80		PN012																								
		8-80		PN013																								
		10-80		PN014																								
		1-81		PN015																								
		4-81		PN016																								

"THIS DRAWING AND SPECIFICATIONS, HEREIN, ARE THE PROPERTY OF DIGITAL EQUIPMENT CORPORATION AND SHALL NOT BE REPRODUCED OR COPIED OR USED IN WHOLE OR IN PART AS THE BASIS FOR THE MANUFACTURE OR SALE OF ITEMS WITHOUT WRITTEN PERMISSION.
 COPYRIGHT © 1978 DIGITAL EQUIPMENT CORPORATION

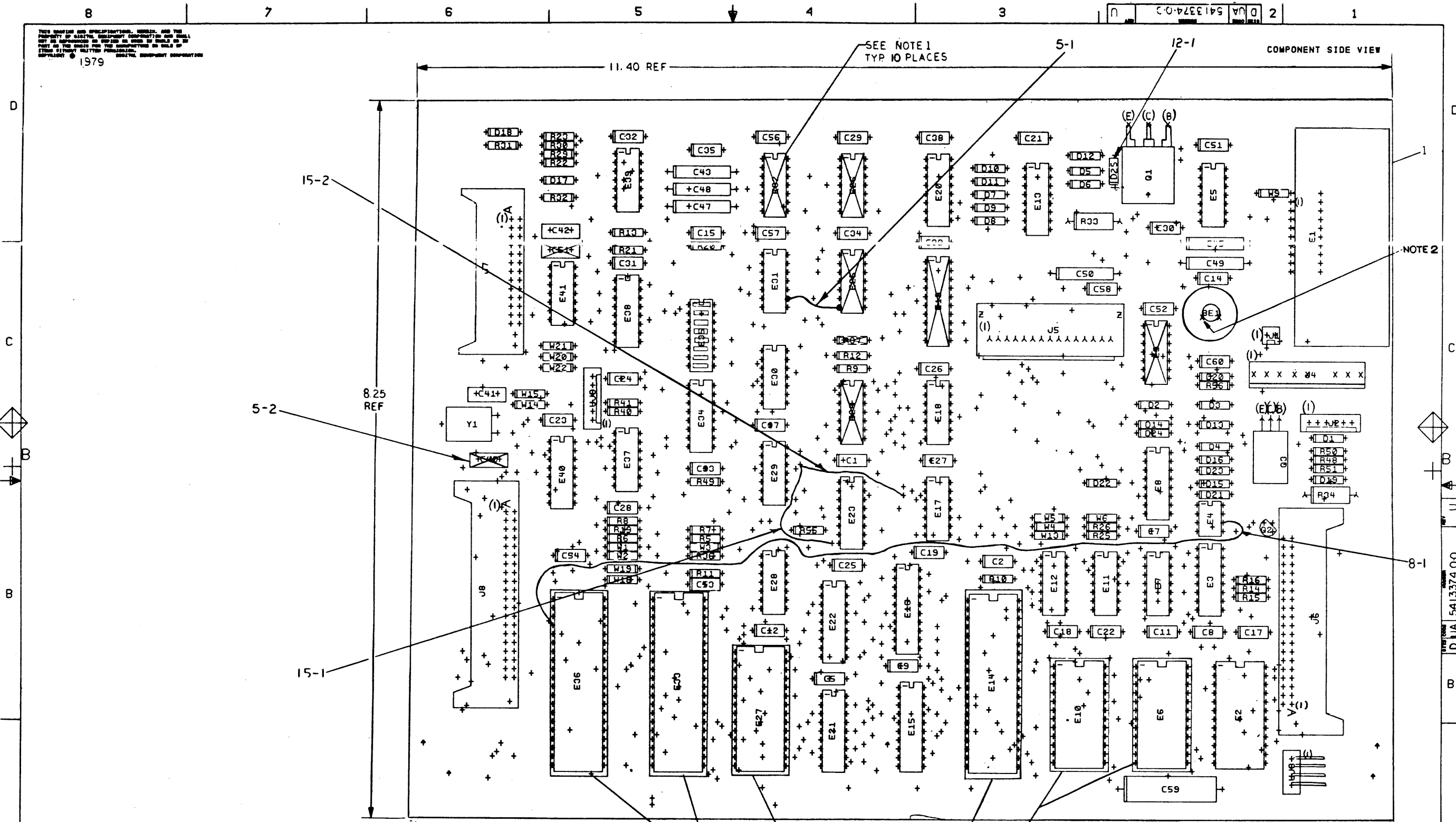


USED ON OPTION/MODEL	LA34	DRN.	P. BOSSMAN	6/28/78	TITLE	LA34 LOGIC BOARD
		CHK'D	<i>J. P. Bossman</i>	29 JUN 78		
		ENG.	<i>J. P. Bossman</i>		SIZE	CODE
		PROD	<i>J. P. Bossman</i>	9/10/78	B	DD
					NUMBER	5413374-0
					REV.	T
					SHEET	1 OF 1

PN

THIS DRAWING AND SPECIFICATIONS, WHETHER AND THE PROPERTY OF EASTERN ELECTRONIC CORPORATION AND SHALL NOT BE REPRODUCED OR USED IN ANY MANNER WITHOUT THE WRITTEN PERMISSION OF EASTERN ELECTRONIC CORPORATION.
 1979

U DUA 5413374-0-0 2 1



- NOTES:
- ① C61, R37, C40, E26, E24, E25, E32, E93, E19 ARE NOT INSTALLED
 - ② INSTALL BE1 (BELL) WITH SHORT LEAD IN HOLE CLOSEST TO E9
 - ③ W2, W3, W5, W19, W20, W22 ARE OPTIONAL JUMPERS

CHK	CHANGE NO	REV	DATE	BY	REASON
33	5413374-PN3	F	2-15-79	J. DESUK	REVISED
32	5413374-PN3	E	2-15-79	J. DESUK	REVISED
31	5413374-PN3	D	2-15-79	J. DESUK	REVISED
30	5413374-PN3	C	2-15-79	J. DESUK	REVISED
29	5413374-PN3	B	2-15-79	J. DESUK	REVISED
28	5413374-PN3	A	2-15-79	J. DESUK	REVISED
27	5413374-PN3	1	2-15-79	J. DESUK	REVISED
26	5413374-PN3	1	2-15-79	J. DESUK	REVISED
25	5413374-PN3	1	2-15-79	J. DESUK	REVISED
24	5413374-PN3	1	2-15-79	J. DESUK	REVISED
23	5413374-PN3	1	2-15-79	J. DESUK	REVISED
22	5413374-PN3	1	2-15-79	J. DESUK	REVISED
21	5413374-PN3	1	2-15-79	J. DESUK	REVISED
20	5413374-PN3	1	2-15-79	J. DESUK	REVISED
19	5413374-PN3	1	2-15-79	J. DESUK	REVISED
18	5413374-PN3	1	2-15-79	J. DESUK	REVISED
17	5413374-PN3	1	2-15-79	J. DESUK	REVISED
16	5413374-PN3	1	2-15-79	J. DESUK	REVISED
15	5413374-PN3	1	2-15-79	J. DESUK	REVISED
14	5413374-PN3	1	2-15-79	J. DESUK	REVISED
13	5413374-PN3	1	2-15-79	J. DESUK	REVISED
12	5413374-PN3	1	2-15-79	J. DESUK	REVISED
11	5413374-PN3	1	2-15-79	J. DESUK	REVISED
10	5413374-PN3	1	2-15-79	J. DESUK	REVISED
9	5413374-PN3	1	2-15-79	J. DESUK	REVISED
8	5413374-PN3	1	2-15-79	J. DESUK	REVISED
7	5413374-PN3	1	2-15-79	J. DESUK	REVISED
6	5413374-PN3	1	2-15-79	J. DESUK	REVISED
5	5413374-PN3	1	2-15-79	J. DESUK	REVISED
4	5413374-PN3	1	2-15-79	J. DESUK	REVISED
3	5413374-PN3	1	2-15-79	J. DESUK	REVISED
2	5413374-PN3	1	2-15-79	J. DESUK	REVISED
1	5413374-PN3	1	2-15-79	J. DESUK	REVISED

ETCH REV. E-P1
 P.C. DESIGN DATA BASE REV. E.L

SIGNATURES	DATE	TITLE
DRN. D. POWERS	2-15-79	LA34 LOGIC BOARD
CHK. D. J. CARTER	2-15-79	
ENG. J. DESUK	2-15-79	
PROJ. ENG. D. D. BROWN	2-15-79	
PROD. J. DESUK	2-15-79	
SCALE 2:1		
SHT. 1 OF 4		
NEXT HIGHER ASSY. B. DD 5413374-0-0		

digital
 TITLE LA34 LOGIC BOARD
 SIZE CODE NUMBER REV
 D U A 5413374-0-0 U

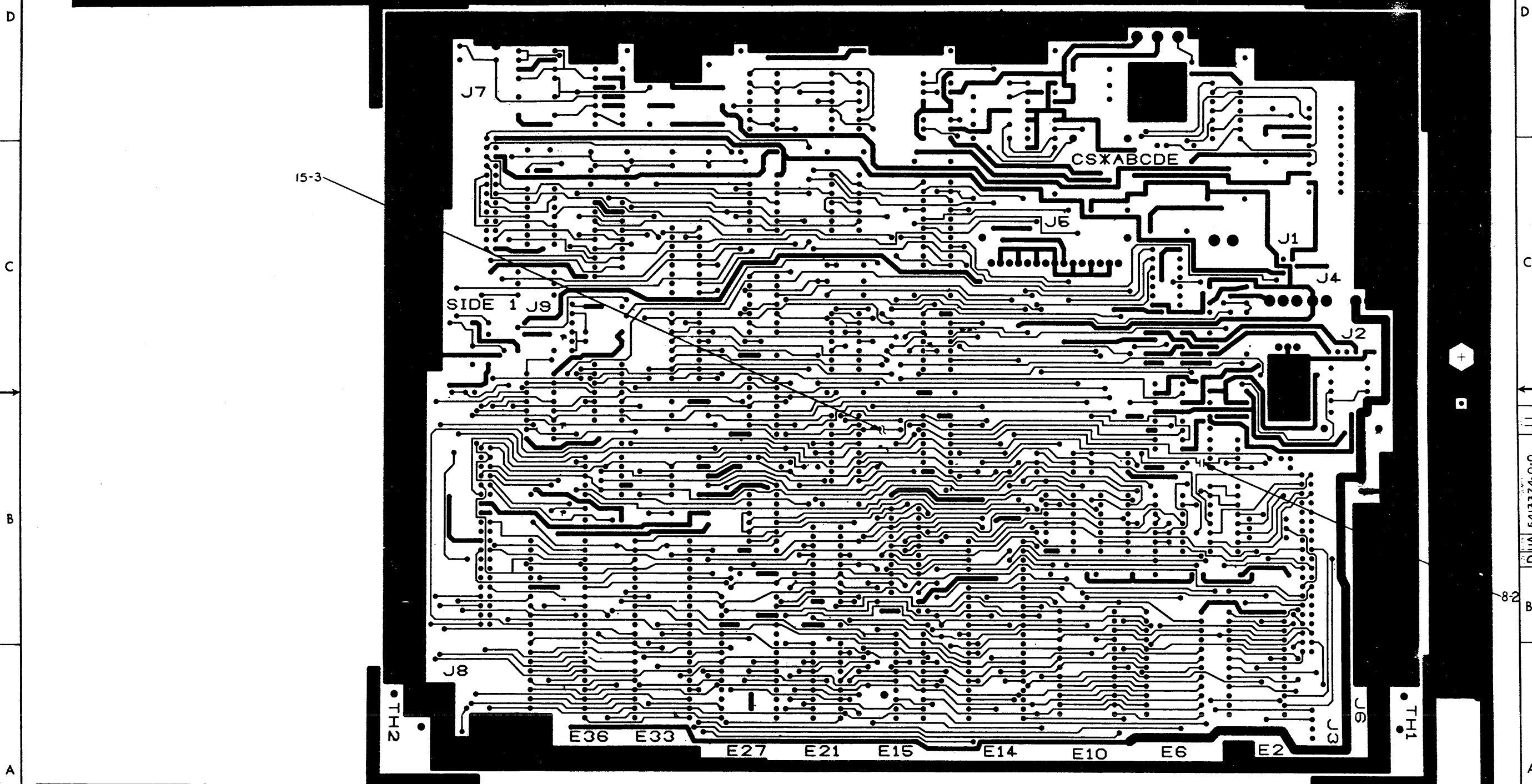
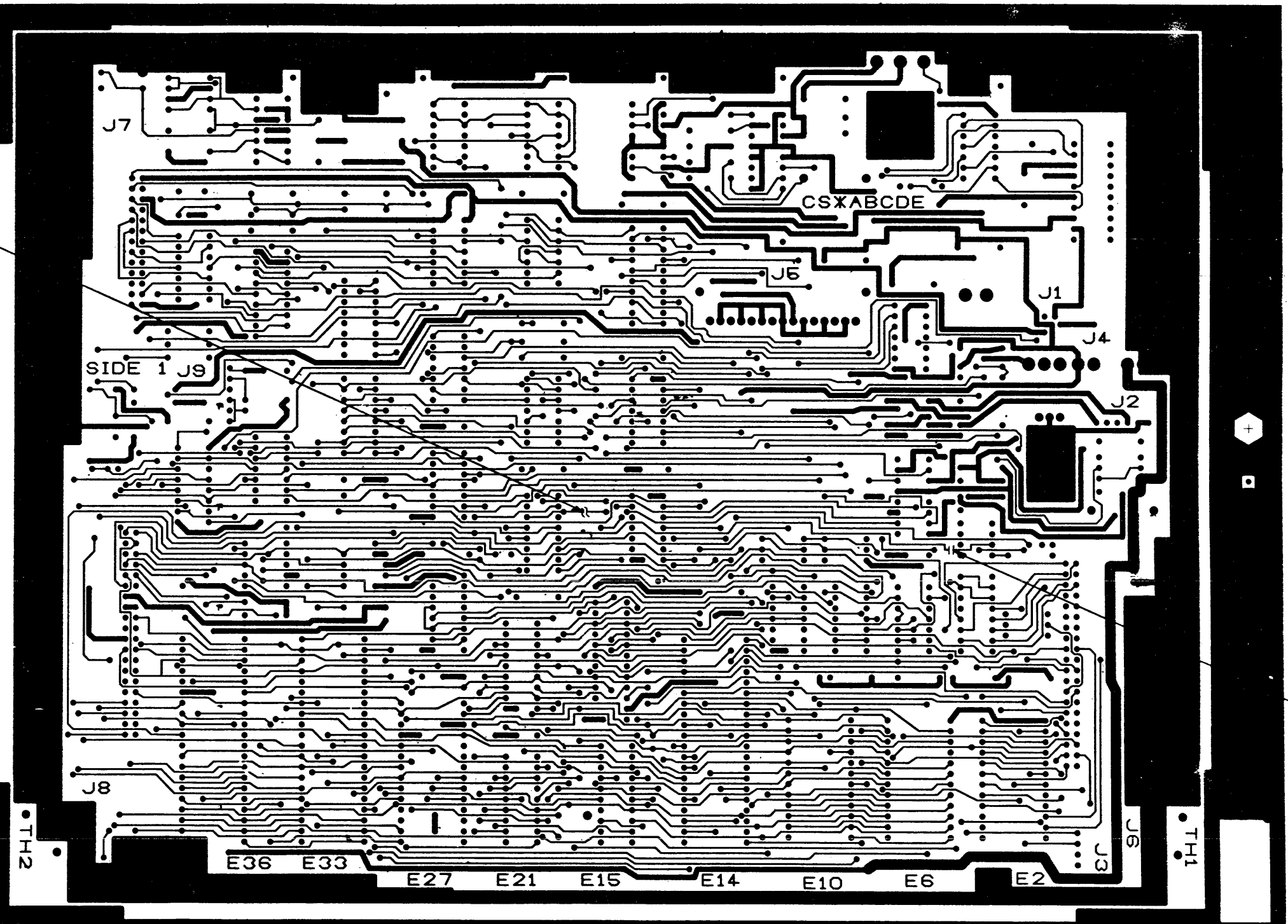
U DUA 5413374-0-0

1 MS#

5013373E-P1
5413374

L1

THIS DRAWING AND SPECIFICATIONS HEREIN ARE THE PROPERTY OF DIGITAL EQUIPMENT CORPORATION AND SHALL NOT BE REPRODUCED OR COPIED OR USED IN WHOLE OR IN PART AS THE BASIS FOR THE MANUFACTURE OR SALE OF ITEMS WITHOUT WRITTEN PERMISSION. COPYRIGHT © 1979 DIGITAL EQUIPMENT CORPORATION



REVISIONS		
CHK	CHANGE NO	REV

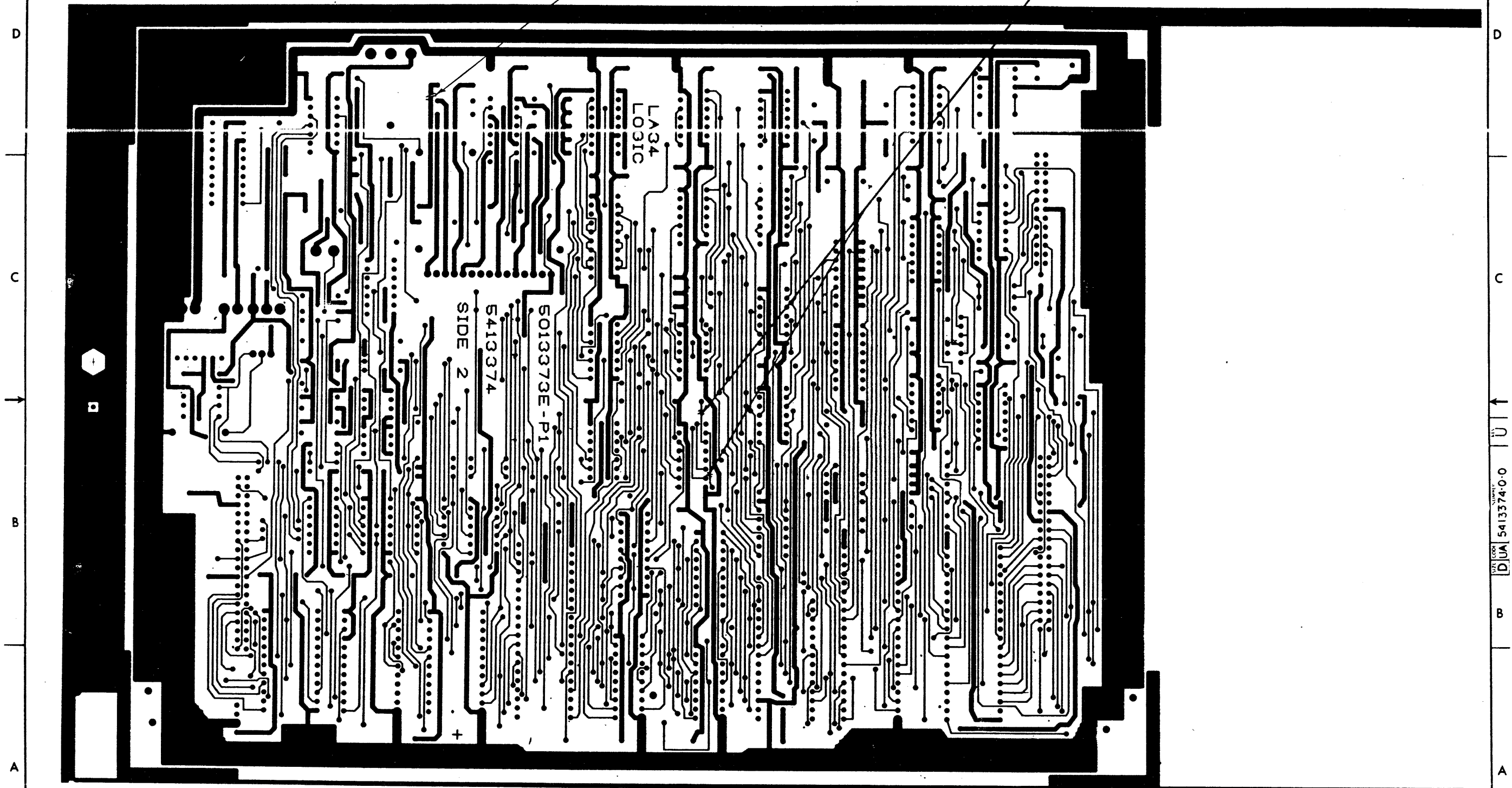
TITLE	LA34 LOGIC BOARD	SIZE CODE	DUA	NUMBER	5413374-0-0	REV.	U
SCALE	2:1	SHEET	2	OF	4	DIST.	

THIS DRAWING AND SPECIFICATIONS HEREIN ARE THE PROPERTY OF DIGITAL EQUIPMENT CORPORATION AND SHALL NOT BE REPRODUCED OR COPIED OR USED IN WHOLE OR IN PART AS THE BASIS FOR THE MANUFACTURE OR SALE OF ITEMS WITHOUT WRITTEN PERMISSION. COPYRIGHT © 1979 DIGITAL EQUIPMENT CORPORATION

L2

12-2

15-4



REVISIONS		
CHK	CHANGE NO	REV.

TITLE	LA34 LOGIC BOARD	SIZE/CODE	DUA	NUMBER	5413374-0-0	REV.	U
SCALE	2:1	SHEET	3	OF	4	DIST.	

THIS DRAWING AND SPECIFICATIONS HEREIN ARE THE PROPERTY OF DIGITAL EQUIPMENT CORPORATION AND SHALL NOT BE REPRODUCED OR COPIED OR USED IN WHOLE OR IN PART AS THE BASIS FOR THE MANUFACTURE OR SALE OF ITEMS WITHOUT WRITTEN PERMISSION. COPYRIGHT © 1977 DIGITAL EQUIPMENT CORPORATION

REWORK INSTRUCTIONS

ECO # 5

WIRE ADD SIDE 1
5-1 FROM DTH CONNECTED TO E31-9 TO E25-7

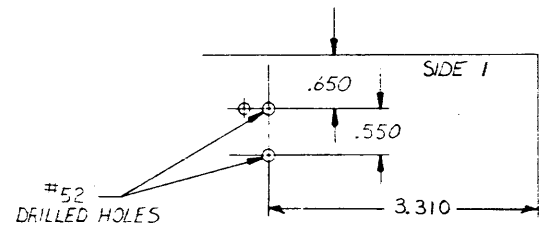
COMPONENT DELETE SIDE 1
5-2 C 40

ECO # 8

8-1 ADDITION OF ECO WIRE FROM E36-4 TO E4-6 -0: VARIATION ONLY.
8-2 ETCH CUT FROM E4-6 FOR 01 VARIATION ONLY

ECO # 12

12-1 DRILL TWO NUMBER 52 HOLES .550 INCHES APART IN THE HEAVY ETCH RUNNING FROM D12 ANODE TO THE 21 VOLT GROUND (DIAGRAM BELOW).



12-2 CUT THE ETCH BETWEEN D12 ANODE AND C50.

ECO # 15

WIRE ADD SIDE 1
15-1 ADD JUMPER WIRE FROM PTH BESIDE E29-12 TO PTH BESIDE E23-8.
15-2 ADD JUMPER WIRE FROM PTH BESIDE E29-12 TO PTH BESIDE E23-15.

ETCH CUT SIDE 1
15-3 CUT THE ETCH FROM E23-3 SO THAT THE ETCH CUT IS BETWEEN THE FIRST TWO FEED THRU HOLES IN THE ETCH RUN FROM PIN 3.

ETCH CUT SIDE 2
15-4 CUT ETCH AT E23-2 AND E23-3.

REVISIONS		
CHK	CHANGE NO.	REV.

TITLE	LA34 LOGIC BOARD	SIZE CODE	D UA	NUMBER	5413374-0-0	REV.	U
SCALE	1/8" = 1"	SHEET	4 OF 4	DIST.			

DIT CORP. NUMBER 5413374-0-0

LINE	ITEM	DOCUMENT NUMBER	PART NUMBER	DESCRIPTION	QTY	PER	VARIATION	REFERENCE DESIGNATOR
					00	01		
1	1		5013373-00	LA34 LOGIC BOARD	1	1		
2	2		1000055-00	2200.0 MFD 250V 20% Y5S DISC	1	1		C42
3	3		1000079-00	47 MFD 20V 20% S,TANT	1	1		C59
4	4		1001617-00	.01 MFD 50V +80-20% 25U CER	39	39		C1,C2,C5,C7-C9,C11,C12,C14,C15, C17-C19,C21-C35,C37-C39,C51-C54, C56-C58,C60 C47-C49,C50,C45
5	5		1005306-00	6.8MFD 35V 10% S,TANT	5	5		
6	6		1005820-00	22.0 MFD 100V 5%200PPM MICA	1	1		C41
7	7		1005636-00	22 MFD 6V 10% S,TANT	1	1		C43
8	8		1105275-00	D 672 TR= 15NS PIV= 60V SI	5	5		D20-D24
9	9		1101935-00	1N 4370A VZ= 2.4 5% .40W	1	1		D18
10	10		1105796-00	1N 4004 PIV=400 I= 1A D041 SP	18	18		D1-D17,D19
11	11	USED FOR E33,E36	1215006-08	SOCKET 40PIN IC LOW PROFILE	2	2		
12	12	USED FOR E6,E10	1215006-06	SOCKET 24PIN IC LOW PROFILE	2	2		
13	13		1211164-04	SW,DIP 1P 1A 8POS	1	1		F35
14	14		1215323-02	CONN, 2POS POLARIZING & LO	1	1		J1
15	15		1215323-00	CONN, 6POS POLARIZING & LO	2	2		J2,J9
16	16		1215324-00	CONN 15POS GOLD PLATED	1	1		J5
17	17		1215699-00	HEADER 9POS STRAIGHT	1	1		J4
18	18		1215635-01	TRANSUCER,MINATURE AUDIO FOR LA	1	1		RE1
19	19		1215921-00	CONN, 4PIN WAFER,RIGHT ANG	1	1		J3
20	20		1209941-02	HEADER 100 40POS RT ANGLE	2	2		J6,J8
21	21		1209941-09	HEADER 26POS RT ANGLE RCPT	1	1		J7
22	22		1300247-00	120.0 .25 W 5.0 % CC	1	1		R31
23	23		1300295-00	330.0 .25 W 5.0 % CC	4	4		R14,R15,R5,R16
24	24		1300365-00	1.0 K .25 W 5.0 % CC	7	7		R36,R49,R19,R29,R40,R41,R55
25	25		1300415-00	2.20 K .50 W 5.0 % CC	1	1		R33
26	26		1300479-00	10.0 K .25 W 5.0 % CC	10	10		R10,R7,R6,R11,R12,R8,R22,R21, R13,R9
27	27		1300488-00	12.0 K .25 W 5.0 % CC	1	1		R32

REVISION HISTORY		BASIC PART NO: 5413374		DRN:	J. LIZOTTE	DATE:	14-JUN-78	D I T A I	
ENG:	ECO NUMBER	REV	SECTION A OF A	CHK'D:	R. WONG	DATE:	05-JUL-78	TITLE	PARTS LIST
JJB	PN004	H	SECTION, VARIATION INDEX	CHK'D:	R. WONG <td>DATE:</td> <td>05-JUL-78</td> <td></td> <td></td>	DATE:	05-JUL-78		
JJB	PN005	J	[A] 00,01					LA34 LOGIC BOARD	
JJB	PN006	K	[B]						
JJB	5413374-PN007	L	[C]	DES.ENG:	D. DODSON	DATE:	05-JUL-78		
JJB	5413374-PN008	M	[D]						
JJB	5413374-PN009	N	[E]						
JJB	5413374-PN010	P	[F]	RESP.ENG.:	D. DODSON	DATE:	14-JUN-78		DOCUMENT NUMBER
JJD	5413374-PN011	P	[H]					SIZE	CODE
JJB	5413374-PN012	S	[J]					NUMBER	REV
JJB	5413374-PN012	S	[K]	MFG.ENG.:	L. MION	DATE:	05-JUL-78	K	PL
JJB	5413374-PN013	T	[L]					5413374-0-DBF	U
JJB	5413374-PN014	U	[M]	ASSEMBLY NUMBER:		TOP DOCUMENT NUMBER:		FILE NAME:	EDIT
			[N]	D-UA-RE13374-0-0		LA34		133740.PLS	28

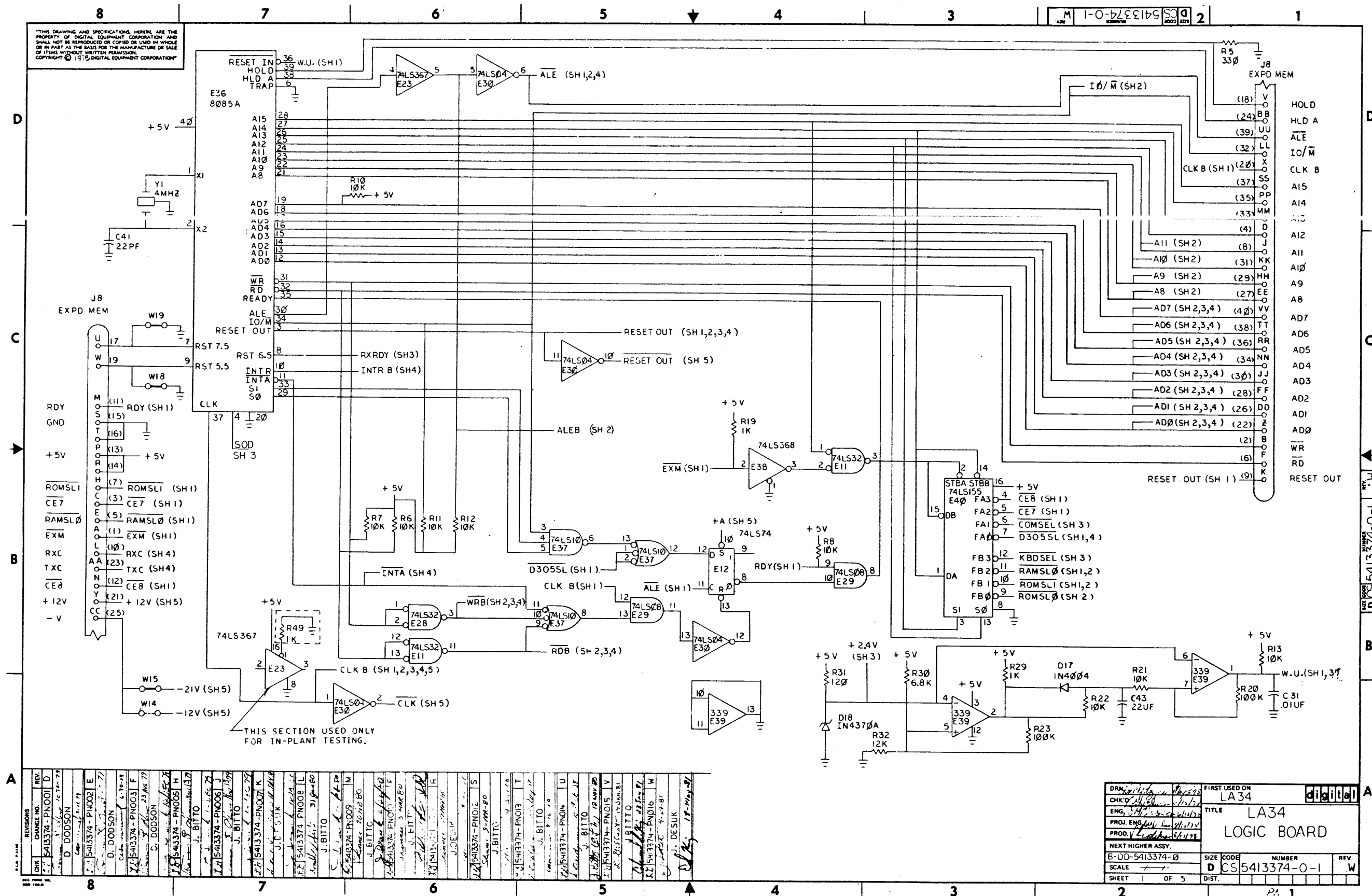
"THIS DRAWING AND SPECIFICATIONS HEREIN, ARE THE PROPERTY OF DIGITAL EQUIPMENT CORPORATION AND SHALL NOT BE REPRODUCED OR COPIED OR USED IN WHOLE OR IN PART AS THE BASIS FOR THE MANUFACTURE OR SALE OF ITEMS WITHOUT WRITTEN PERMISSION. COPYRIGHT (C) 1980, DIGITAL EQUIPMENT CORPORATION "

LINE	ITEM	DOCUMENT NUMBER	PART NUMBER	DESCRIPTION	QTY PER VARIATION		REFERENCE DESIGNATOR
					00	01	
28	28		1302388-00	2.0 K .25 W 5.0 % CC	1	1	R51
29	29		1302466-00	100.0 K .25 W 5.0 % CC	2	2	R23,P20
30	30		1301890-00	560.0 .25 W 5.0 % CC	1	1	P48
31	31		1301423-00	6.80 K .25 W 5.0 % CC	3	3	R25,R26,P30
32	32		1300005-07	R NETWORK 15-4.7K 5.0 % 16PIN	1	1	F34
33	33		1300439-00	3.30 K .25 W 5.0 % CC	1	1	R50
34	34		1315676-00	300.0 3.0 W 5.0 % WW 9	1	1	R34
35	37		1515370-00	TIP146 PNP DARLINGTON-CONNECTED	1	1	Q1
36	38		1514509-00	TIP 125 PNP 65W SI 60 500 8A	1	1	Q3
37	39		1510706-00	XA 55 PNP 500MW SI 60 50 P	1	1	Q2
38	40		1812396-03	XTAL 4.000 MHZ	1	1	Y1
39	41		1915636-00	DRIVER, SWITCHING MDT	1	1	F1
40	42		1913130-00	DEC 1489A RECEIVER, LINE, QUAD,	1	1	F41
41	43		1912863-00	LS273 FF-D OCTAL W/CLEAR	1	1	F15
42	44		1912846-00	LS155 DECODER, 2 OF 4(DUAL)	1	1	F40
43	45		1910324-00	DEC 1488L DRIVER, LINE, QUAD, EI	1	1	F31
44	46		1910741-00	7406 INVERTER GATE-HEX 1I	1	1	F5
45	47		1912108-00	339 VOLT CMPRTR, QUAD	1	1	F39
46	48		1912801-00	LS02 NOR-GATE-QUAD 2IN	1	1	F7
47	49		1912803-00	774LS04 INVERTER GATE, HEX, I	3	3	F30,F18,F17
48	50		1912805-00	LS08 AND GATE-QUAD 2IN, PO	1	1	F29
49	51		1913777-00	LS240 DRIVER, LINE, OCTAL, T	1	1	F16
50	52		1914072-00	74159 DECODER-4 TO 16 UPN	1	1	F2
51	53	USED FOR E27	1215002-07	SOCKET 28PIN IC LOW PROFILE	1	1	
52	54		1915261-00	DEC 2841B DRIVER, 1.5A QUAD	3	3	F13,E20,F8
53	55		1914560-00	LS36A DRIVER, BUS, HEX, TRI-	1	1	E38
54	56		1913471-00	LS367 DRIVER, BUS, HEX, TRI-	1	1	E23
55	57		1912807-00	LS10 NAND GATE-TRIPLE 3IN	1	1	F37
56	58		1912816-00	LS32 OR GATE-QUAD 2IN, POS	2	2	F11,F28
57	59		1912824-00	LS74 FF-D DUAL, EDGE TRIGG	1	1	E12
58	60		1910406-00	75451 DRIVER, PERIPH, DUAL,	1	1	E4
59	61		1913950-00	LS156 DECODER, 2 OF 4(DUAL)	1	1	F3
60	62		2113107-01	P 8251A PUSART COMM. INTERFA	1	1	E27
61	63		2113954-00	DC 305 INTERFACE CHIP NI	1	1	E14
62	64		2114212-01	P 2114 RAM, 1024X4, STATIC 1R	2	2	F21,F27
63	65		2114903-00	UP, 8-BIT NMOS GL	1	1	F36
64	66		2300189-00	B9-01	1	0	F33
65	67		23059E2-00	E2-01	1	0	F6
66	68		23131E2-00	E2-01	1	0	F10
67	69		9009185-00	JUMPER, WIRE, INSULATED, BLACK B	9	-	W21,W15,W19,W18,W13,W9,W6,W4,W1
			CONT		-	9	W21,W25,W19,W18,W13,W9,W6,W4,W2
68	70		9105744-55	WIRE(WRAP)30AWG JH1423	A/R	A/R	
69	71		1302602-00	56.0 .25 W 5.0 % CC	1	1	P56
70	72		2301189-00	B9-02	0	1	F33
71	73		23232E2-00	E2-04	0	1	F6
72	74		1110854-00	1N 5353B VZ= 16.0V 5% .40W M	1	1	D25

D	T	G	I	T	A	L	TITLE	SECTION A OF A	SIZE	CODE	DOCUMENT NUMBER	REV
							LA34 LOGIC BOARD		K	PL	5413374-0-DBP	U

THIS DRAWING AND SPECIFICATIONS HEREIN ARE THE PROPERTY OF DIGITAL EQUIPMENT CORPORATION AND SHALL NOT BE REPRODUCED OR COPIED OR USED IN WHOLE OR IN PART AS THE BASIS FOR THE MANUFACTURE OR SALE OF ITEMS WITHOUT WRITTEN PERMISSION. COPYRIGHT © 1975 DIGITAL EQUIPMENT CORPORATION

CS 5413374-0-1

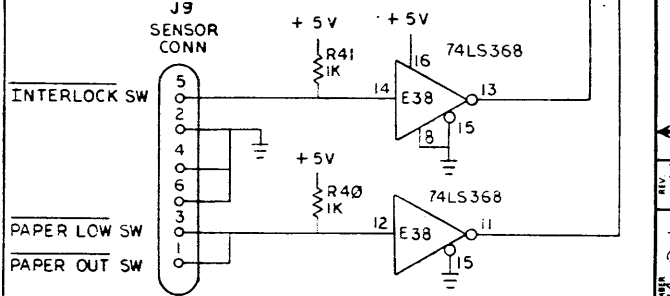
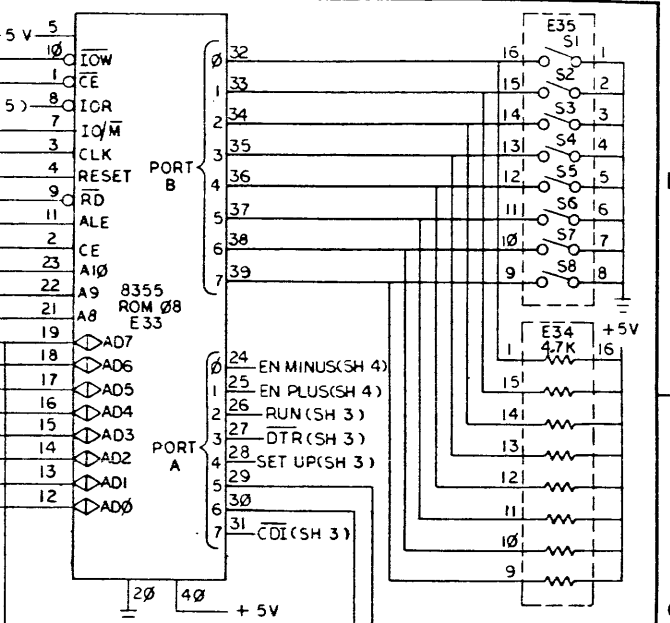
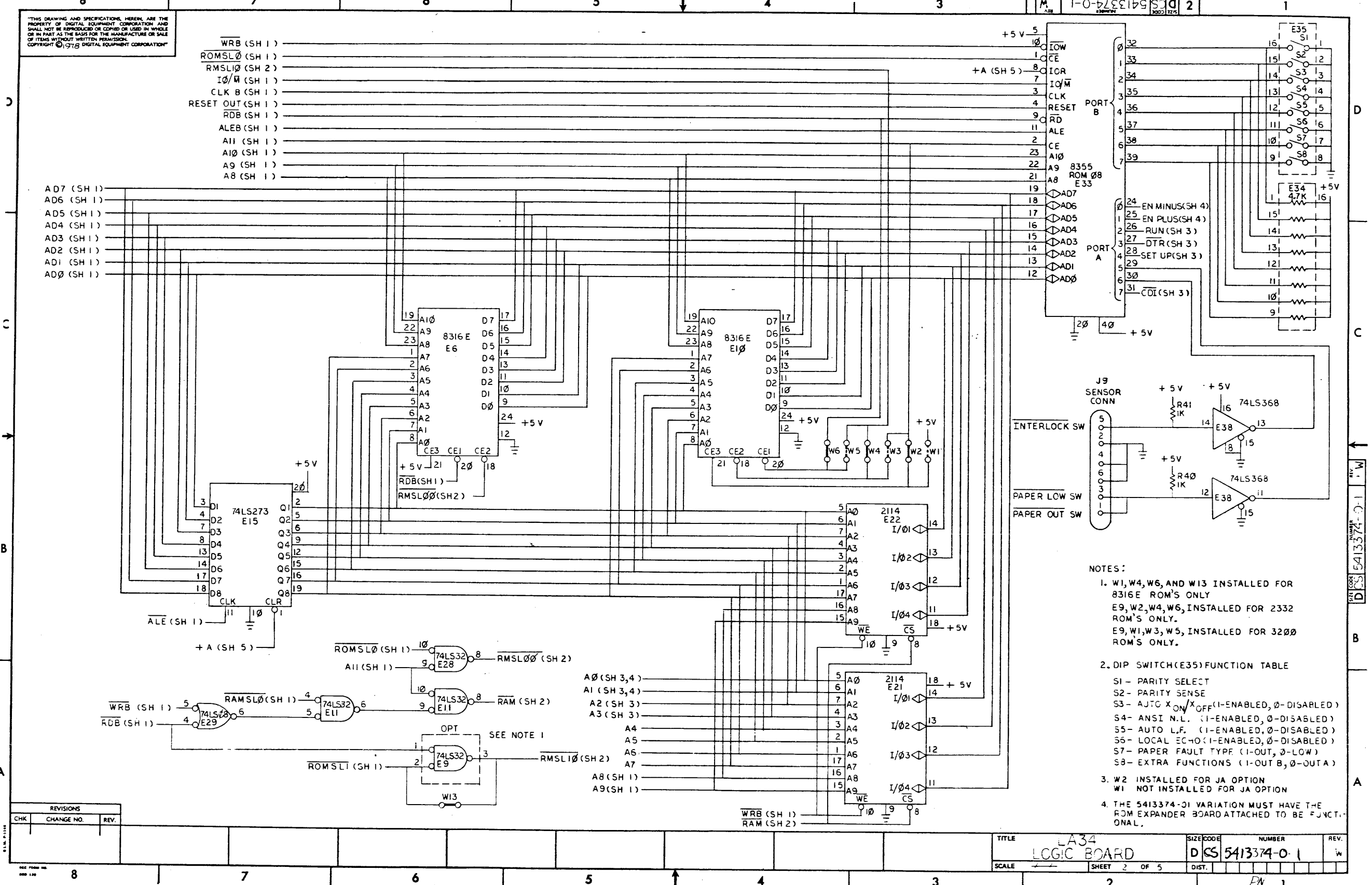


REV.	CHG.	NO.	REV.	DATE	BY	CHK'D	DATE
1	5413374-PN001	D		10/22/77	D. DODSON		
2	5413374-PN002	E		11/17/77	D. DODSON		
3	5413374-PN003	F		12/13/77	D. DODSON		
4	5413374-PN005	H		1/13/78	J. BITTO		
5	5413374-PN007	K		2/1/78	J. BITTO		
6	5413374-PN008	L		2/1/78	J. BITTO		
7	5413374-PN009	M		2/1/78	J. BITTO		
8	5413374-PN010	N		2/1/78	J. BITTO		
9	5413374-PN011	O		2/1/78	J. BITTO		
10	5413374-PN012	P		2/1/78	J. BITTO		
11	5413374-PN013	Q		2/1/78	J. BITTO		
12	5413374-PN014	R		2/1/78	J. BITTO		
13	5413374-PN015	S		2/1/78	J. BITTO		
14	5413374-PN016	T		2/1/78	J. BITTO		
15	5413374-PN017	U		2/1/78	J. BITTO		
16	5413374-PN018	V		2/1/78	J. BITTO		
17	5413374-PN019	W		2/1/78	J. BITTO		
18	5413374-PN020	X		2/1/78	J. BITTO		
19	5413374-PN021	Y		2/1/78	J. BITTO		
20	5413374-PN022	Z		2/1/78	J. BITTO		

DRN	CHK'D	ENG	PROJ. ENGR.	PROD. V.	NEXT HIGHER ASSY.	SIZE	CODE	NUMBER	REV.
					B-DD-5413374-0	D	CS	5413374-0-1	W
FIRST USED ON					LA34				
TITLE					LA34 LOGIC BOARD				
SHEET 1 OF 5					DIST.				

"THIS DRAWING AND SPECIFICATIONS, HEREIN, ARE THE PROPERTY OF DIGITAL EQUIPMENT CORPORATION AND SHALL NOT BE REPRODUCED OR COPIED OR USED IN WHOLE OR IN PART AS THE BASIS FOR THE MANUFACTURE OR SALE OF ITEMS WITHOUT WRITTEN PERMISSION. COPYRIGHT © 1975 DIGITAL EQUIPMENT CORPORATION"

DCS 5413374-0-1



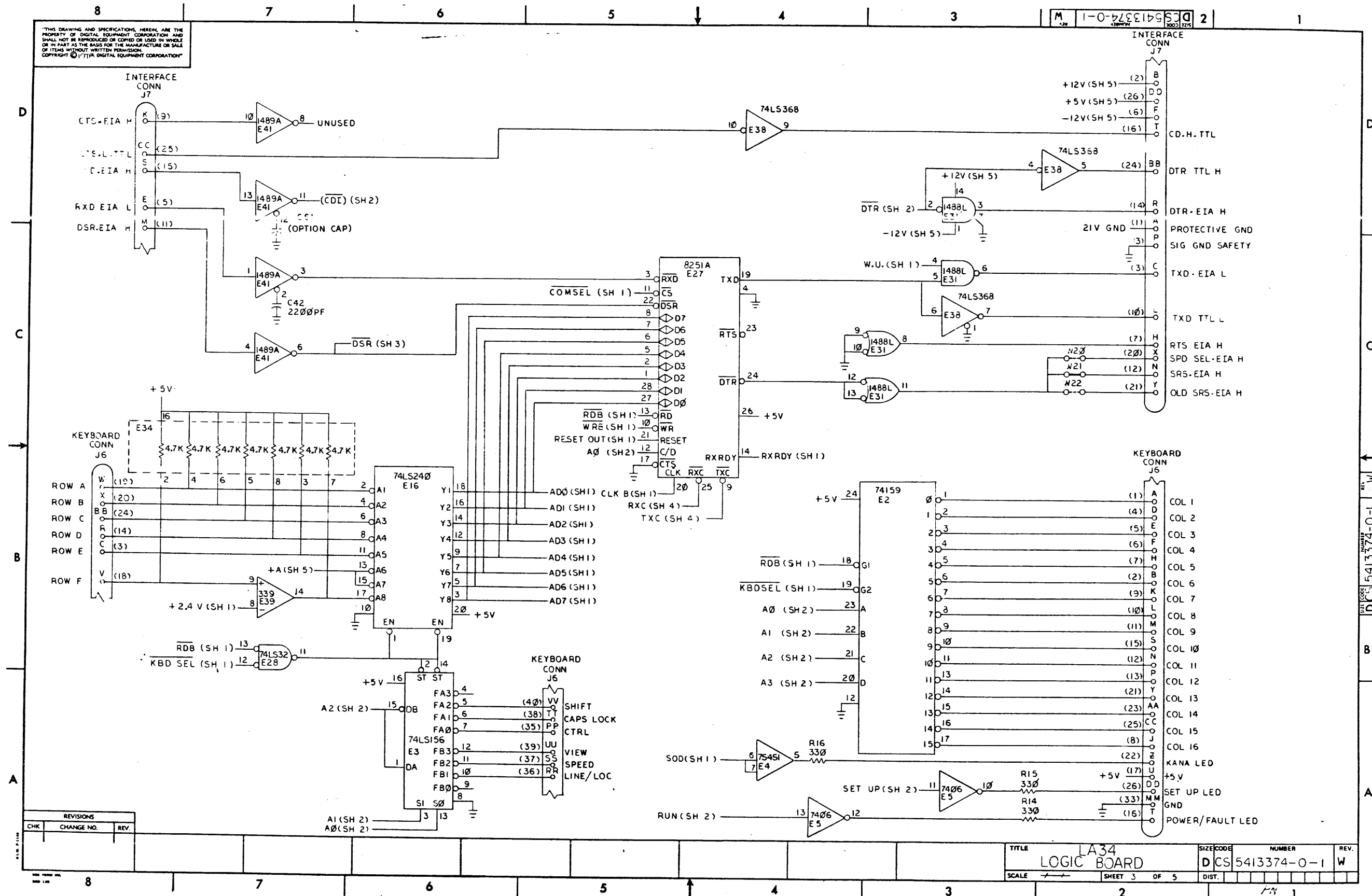
- NOTES:
- W1, W4, W6, AND W13 INSTALLED FOR 8316E ROM'S ONLY
E9, W2, W4, W6, INSTALLED FOR 2332 ROM'S ONLY.
E9, W1, W3, W5, INSTALLED FOR 3200 ROM'S ONLY.
 - DIP SWITCH (E35) FUNCTION TABLE
S1 - PARITY SELECT
S2 - PARITY SENSE
S3 - AJTC X_{ON}/X_{OFF} (1-ENABLED, 0-DISABLED)
S4 - ANSI N.L. (1-ENABLED, 0-DISABLED)
S5 - AUTO L.F. (1-ENABLED, 0-DISABLED)
S6 - LOCAL ECHO (1-ENABLED, 0-DISABLED)
S7 - PAPER FAULT TYPE (1-OUT, 0-LOW)
S8 - EXTRA FUNCTIONS (1-OUT B, 0-OUT A)
 - W2 INSTALLED FOR JA OPTION
W1 NOT INSTALLED FOR JA OPTION
 - THE 5413374-01 VARIATION MUST HAVE THE ROM EXPANDER BOARD ATTACHED TO BE FUNCTIONAL.

REVISIONS		
CHK	CHANGE NO.	REV.

TITLE LA34 LOGIC BOARD
SCALE SHEET 2 OF 5
SIZE CODE DCS 5413374-0-1
NUMBER DIST. REV. W

THIS DRAWING AND SPECIFICATIONS HEREIN ARE THE PROPERTY OF DIGITAL EQUIPMENT CORPORATION AND SHALL NOT BE REPRODUCED OR COPIED IN WHOLE OR IN PART AS THE BASIS FOR THE MANUFACTURE OR SALE OF ITEMS WITHOUT WRITTEN PERMISSION. COPYRIGHT © 1977, DIGITAL EQUIPMENT CORPORATION

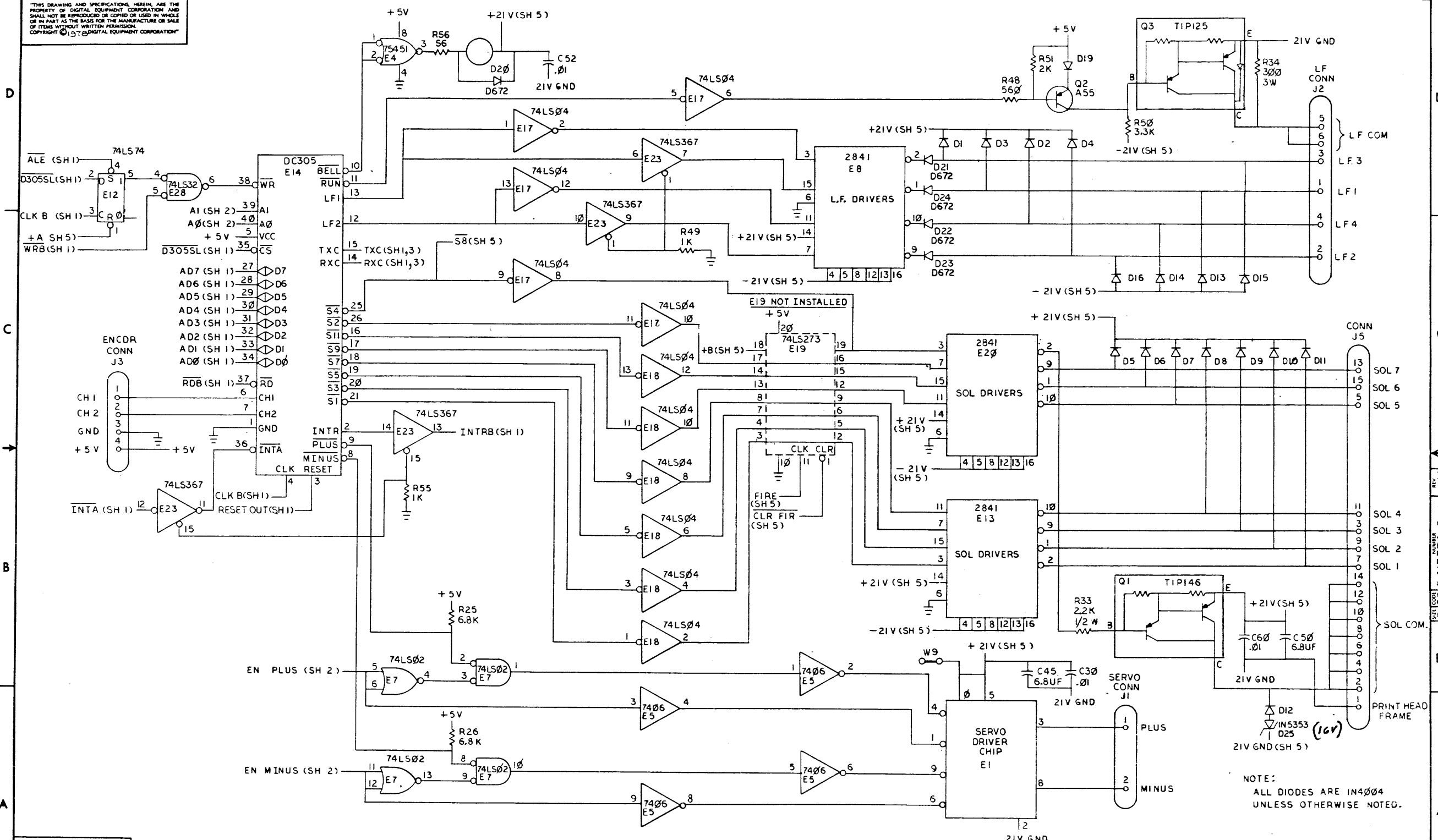
M 5413374-0-1 2



REVISIONS		
CHK	CHANGE NO.	REV.

TITLE LA34 LOGIC BOARD
 SCALE 1:1 SHEET 3 OF 5
 SIZE CODE DCS NUMBER 5413374-0-1 REV. W

THIS DRAWING AND SPECIFICATIONS HEREIN ARE THE PROPERTY OF DIGITAL EQUIPMENT CORPORATION AND SHALL NOT BE REPRODUCED OR COPIED OR USED IN WHOLE OR IN PART AS THE BASIS FOR THE MANUFACTURE OR SALE OF ITEMS WITHOUT WRITTEN PERMISSION. COPYRIGHT © 1971 DIGITAL EQUIPMENT CORPORATION.



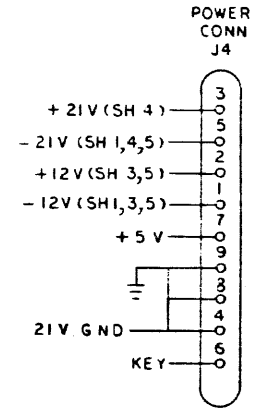
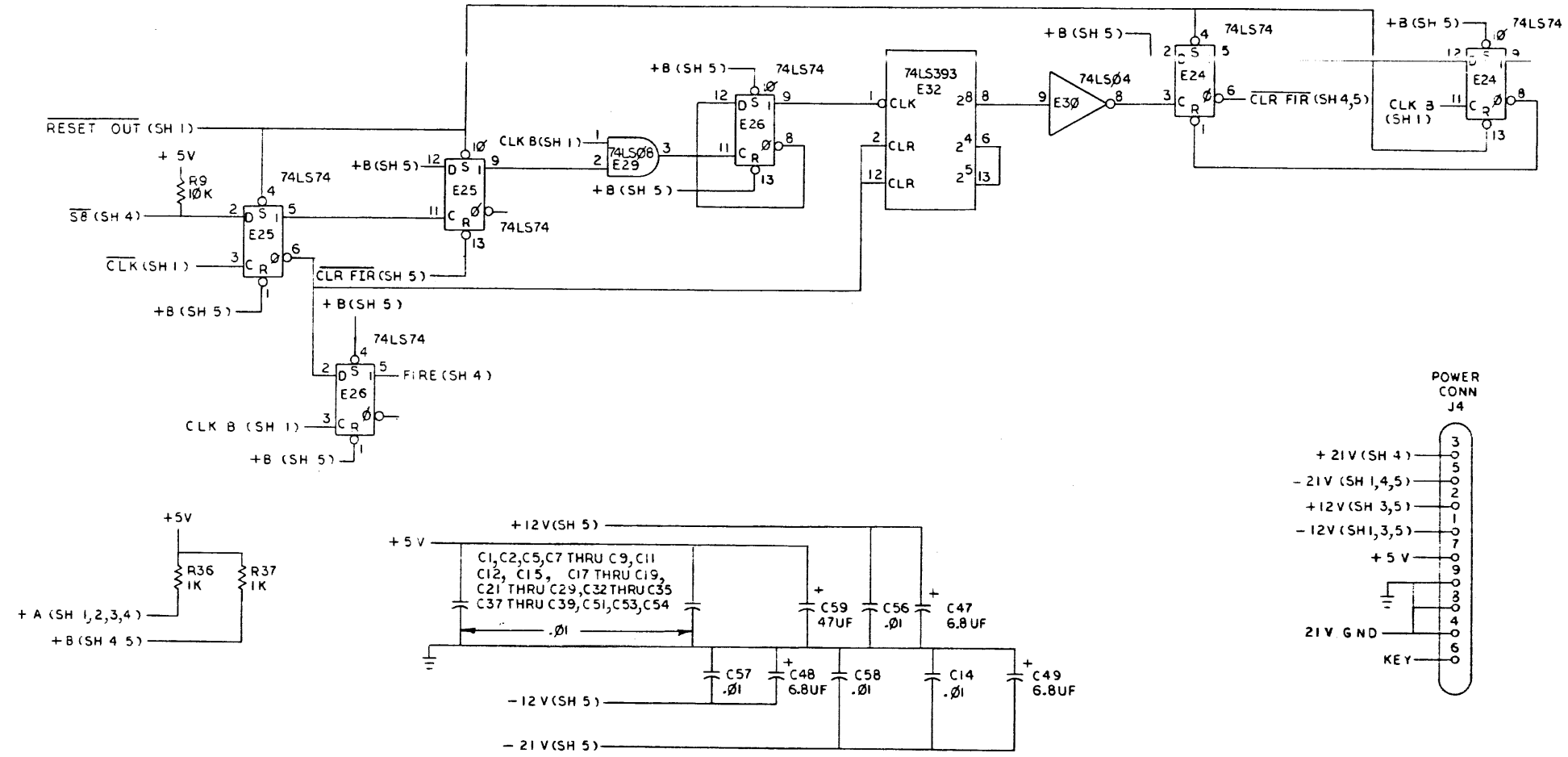
NOTE:
ALL DIODES ARE IN4004
UNLESS OTHERWISE NOTED.

REVISIONS			TITLE		SIZE CODE		NUMBER		REV.	
CHK	CHANGE NO.	REV.	LA34 LOGIC BOARD		DCS 5413374-0-1		F-N		W	

THIS DRAWING AND SPECIFICATIONS HEREIN ARE THE PROPERTY OF DIGITAL EQUIPMENT CORPORATION AND SHALL NOT BE REPRODUCED OR COPIED OR USED IN WHOLE OR IN PART AS THE BASIS FOR THE MANUFACTURE OR SALE OF ITEMS WITHOUT WRITTEN PERMISSION. COPYRIGHT © 1972 DIGITAL EQUIPMENT CORPORATION

DCS 5413374-0-1 2

NOTE:
IC'S E24, E25, 26, E32 AND R37 NOT INSTALLED.



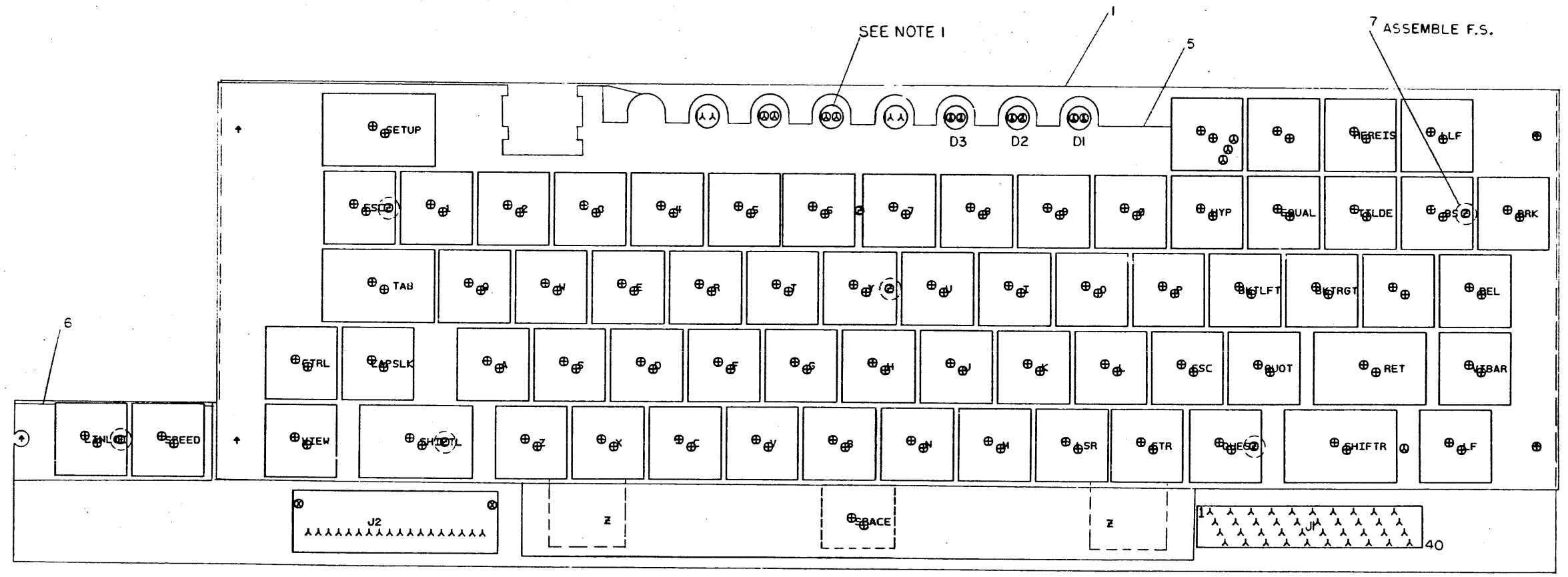
REVISIONS		
CHK	CHANGE NO.	REV.

TITLE LA34 LOGIC BOARD
 SIZE CODE DCS
 NUMBER 5413374-0-1
 REV. W
 SCALE SHEET 5 OF 5
 DIST. PIN 1

THIS DRAWING AND SPECIFICATIONS, WHETHER AND THE PROPERTY OF DIGITAL EQUIPMENT CORPORATION AND SHALL NOT BE REPRODUCED OR COPIED IN ANY MANNER OR BE PART OF THE BIDDING FOR THE CONSTRUCTION OR SALE OF THIS EQUIPMENT WITHOUT PERMISSION.
COPYRIGHT © JAN. 1976 DIGITAL EQUIPMENT CORPORATION

0 1 2 3 4 5 6 7 8

COMPONENT SIDE VIEW



NOTES: 1. D4 THRU D7 ARE NOT USED.

CHECK NO	REV

ETCH REV.	E
P.C. DESIGN DATA BASE REV.	EL

SIGNATURES		DATE	digital
DRN. P. Peley		6-8-78	
CHK'D. S. E. ...		6-8-78	
ENG. B. J. ...		10-2-78	
PROJ. ENG. b. ...		10-2-78	
PROD. V. ...		5-1-79	
SCALE	2/1	SIZE CODE	NUMBER
SHT.	1 OF 3	d UA	5413284-0-0
NEXT HIGHER ASSY. B-DD-F413284-0-0			

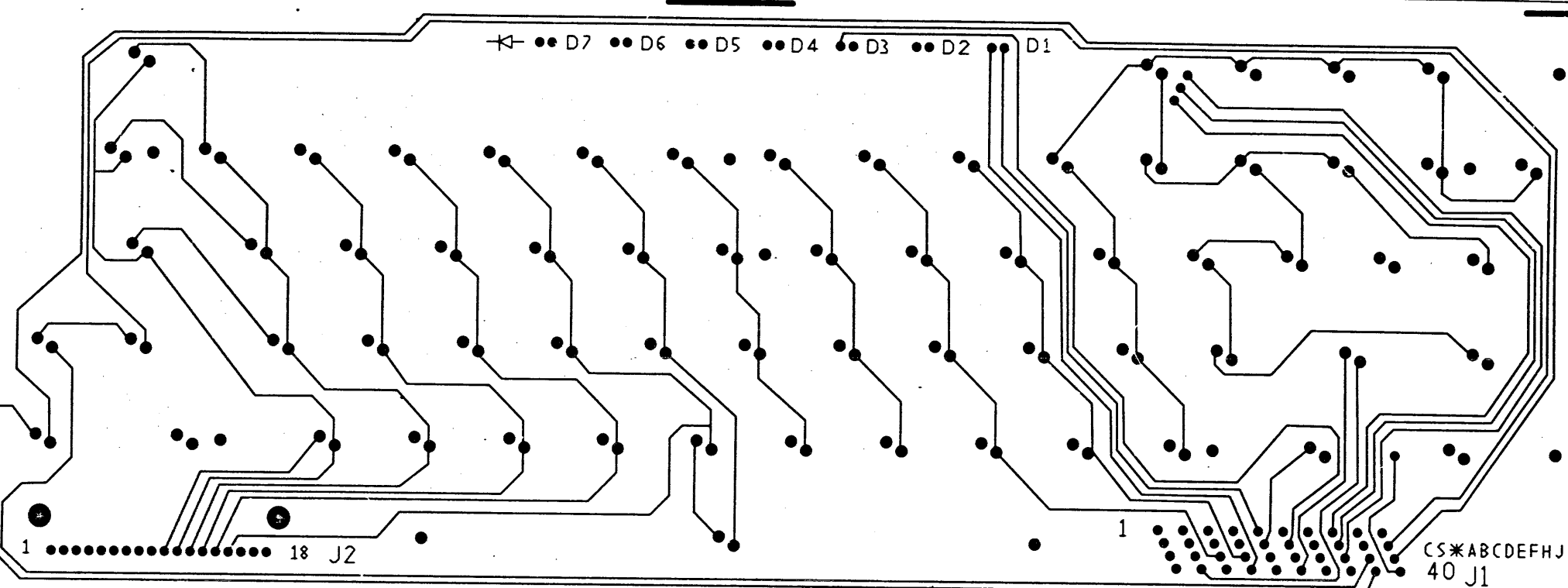
8 7 6 5 4 3 2 1

8 7 6 5 4 3 1

01978

5013283E 5413284

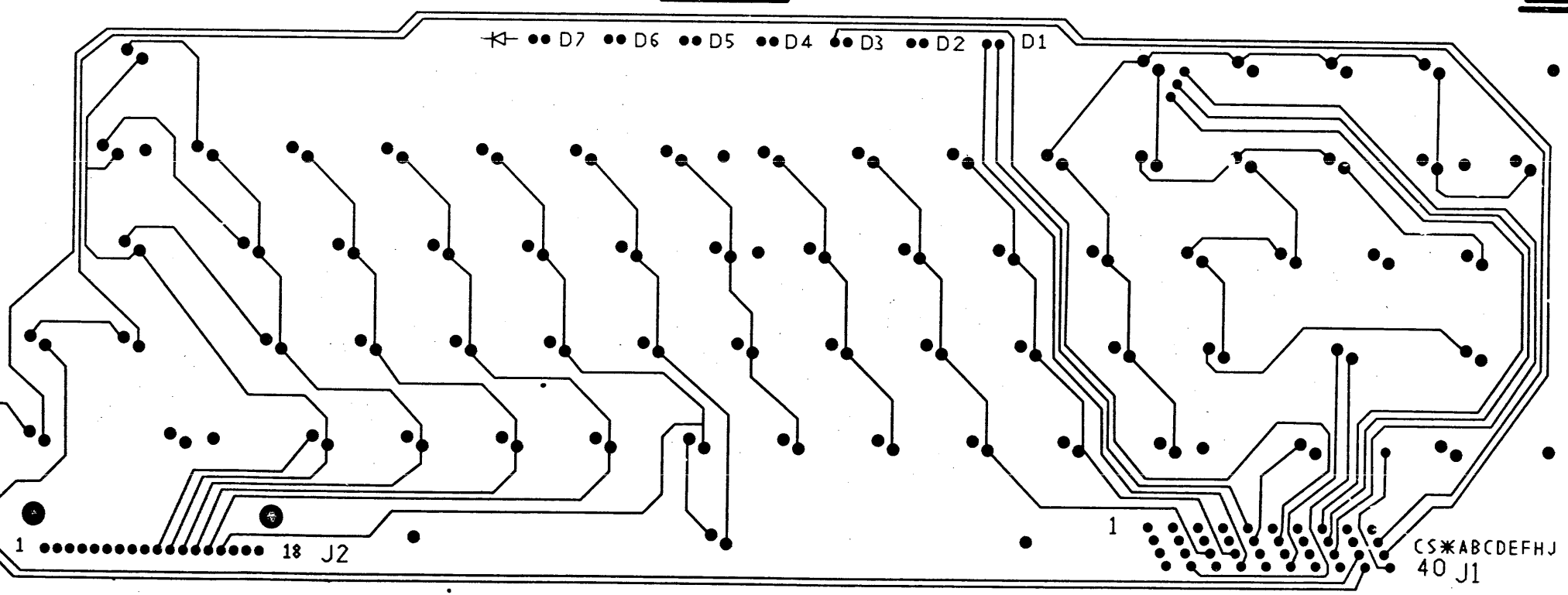
SIDE 1
digital



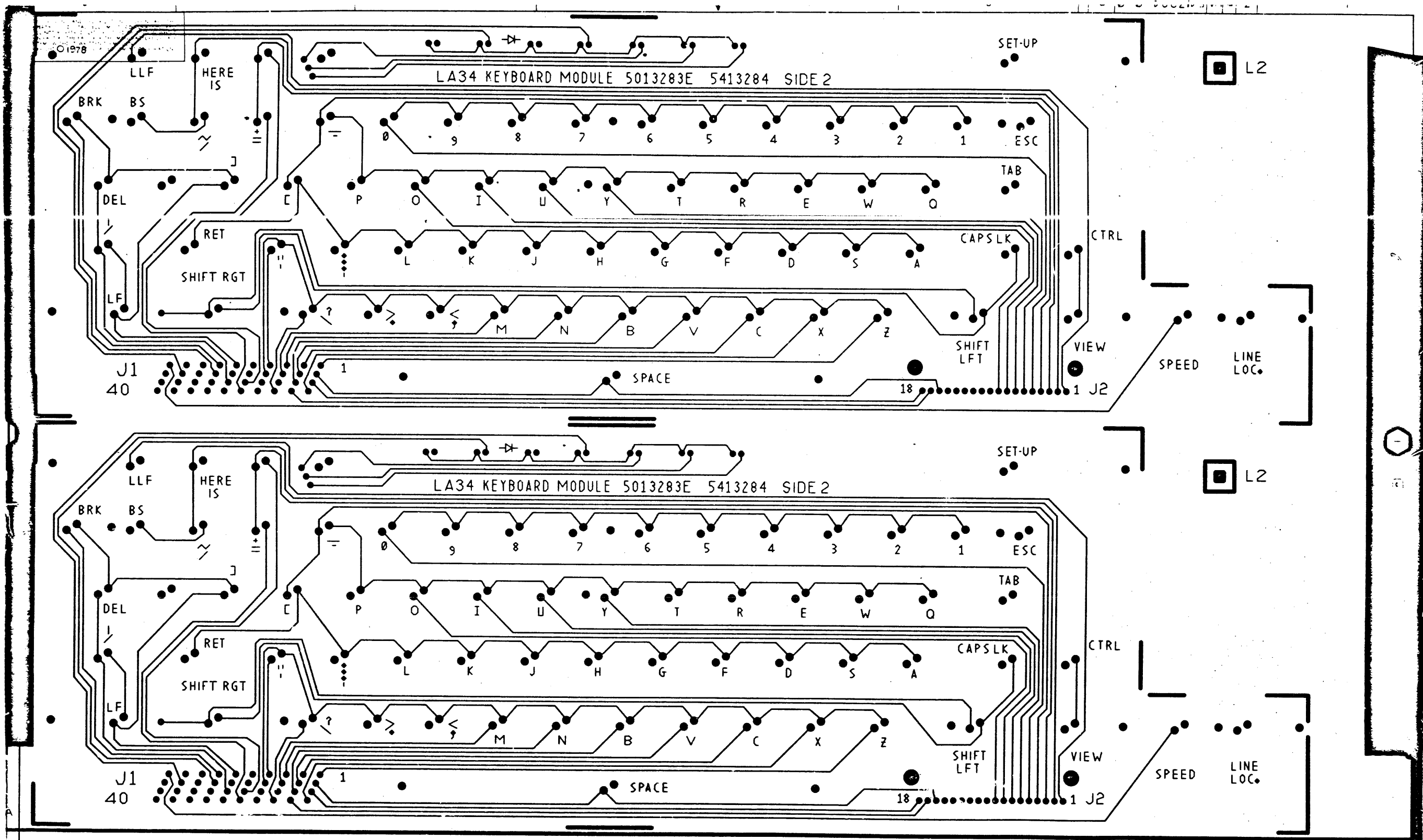
L1

5013283E 5413284

SIDE 1
digital



TITLE	LA34 KEYBOARD MODULE	SIZE CODE	D UA	NUMBER	5413284-0-0	REV.	D
SCALE	2/1	SHEET	2 OF 3	DATE			



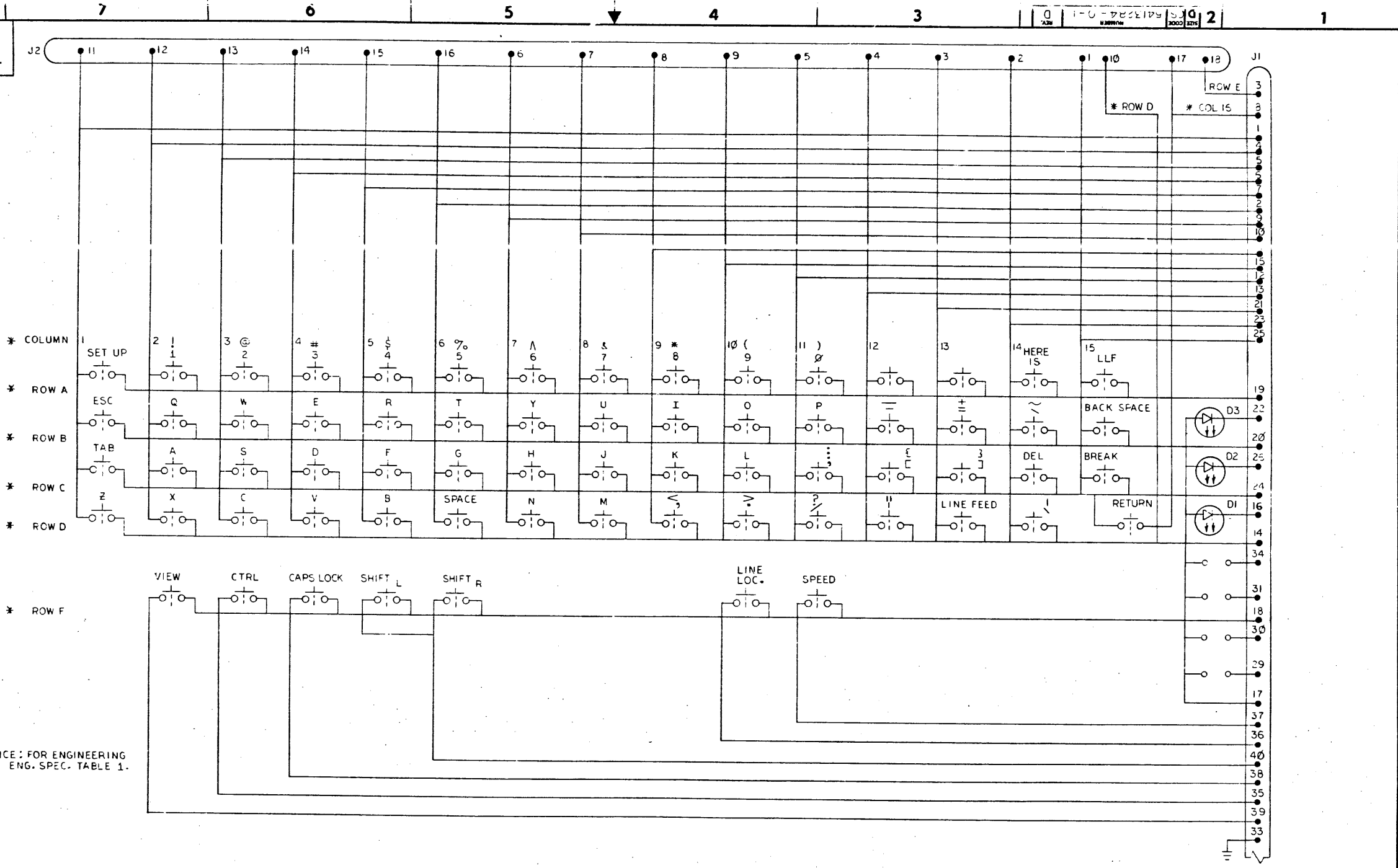
TITLE	LA34 KEYBOARD MODULE	REV	001	DATE	5413284-0-0	PL.	D
SCALE	2/1	SHEET	3	TOTAL	3		

LINE	ITEM	DOCUMENT NUMBER	PART NUMBER	DESCRIPTION	QTY	REFERENCE DESIGNATOR
1	1		5013283-00	ETCH BOARD FOR 5413284	1	
2	2		1110864-00	LED 2MCD@10MA	3	D1-D3
3	3		1210073-00	CONN 40POS INSUL PIERCING	1	J1
4	4		1215324-01	CONN 18POS GOLD PLATED	1	J2
5	5		7013910-00	KEYBOARD ARRAY ASSY	1	
6	6		7015527-00	OPERATOR SWITCH ASSY	1	
7	7		9010033-00	SCREW,PAN,PHILLIPS, 4-24 X 3/8	6	

REVISION HISTORY		SECTION 1 OF 1	RESP. ENG.: B.DONOHUE	DATE: 22-JUN-78	D I G I T A L		
ENG:	ECD NUMBER	REV	MADE BY: M.RIPLEY	DATE: 17-MAY-78	TITLE	PARTS LIST	
---	INIT	D	CHECKED: B.DONOHUE	DATE: 22-JUN-78	LA34 KEYBOARD MODULE		
LG	5413284-PN001	E	DSN, ENG.: B.DONOHUE	DATE: 22-JUN-78	SIZE	CODE	DOCUMENT NUMBER
		1.00	PROD.: L.MION	DATE: 22-JUN-78	K	PL	5413284-0-DBP
		2.	ASSEMBLY NUMBER: D-UA-5413284-0-0				REV
		3.					E
		4.					EDIT #
		5.					15
		6.					
		7.					
		8.					
		9.					
		10.					
		11.					
		12.					

"THIS DRAWING AND SPECIFICATIONS HEREIN, ARE THE PROPERTY OF DIGITAL EQUIPMENT CORPORATION AND SHALL NOT BE REPRODUCED OR COPIED OR USED IN WHOLE OR IN PART AS THE BASIS FOR THE MANUFACTURE OR SALE OF ITEMS WITHOUT WRITTEN PERMISSION. COPYRIGHT 1978, DIGITAL EQUIPMENT CORPORATION"

THIS DRAWING AND SPECIFICATIONS HEREIN ARE THE PROPERTY OF DIGITAL EQUIPMENT CORPORATION AND SHALL NOT BE REPRODUCED OR COPIED OR USED IN WHOLE OR IN PART AS THE BASIS FOR THE MANUFACTURE OF SALE OF ITEMS WITHOUT WRITTEN PERMISSION. COPYRIGHT © 1972, DIGITAL EQUIPMENT CORPORATION.



NOTE:
1. * REFERENCE: FOR ENGINEERING USE, SEE ENG. SPEC. TABLE 1.

REV.	
CHG	
REV.	
CHG	

DRN: <i>[Signature]</i>	FIRST USED ON	digital
CHK'D: <i>[Signature]</i>	LA34	
ENG: <i>[Signature]</i>	TITLE	LA34
PROJ. ENGR: <i>[Signature]</i>	KEYBOARD MODULE	
PROD: <i>[Signature]</i>	NEXT HIGHER ASSY.	
D-BB-5413284-0	SIZE	CODE
SCALE	D	NUMBER
SHEET	OF	DIST.
		REV.
		D

This document contains confidential proprietary information of DEC. This information shall not be disclosed to persons outside the employ of DEC, except by DEC personnel so authorized by DEC, and shall not be used by any other persons in the design, production or manufacture of products for DEC. Copyright © 1978 Digital Equipment Corporation.

DIGITAL EQUIPMENT CORPORATION MAYNARD, MASSACHUSETTS						
ENGINEERING SPECIFICATION				DATE June, 1978		
TITLE H7834 POWER SUPPLY						
REVISIONS						
REV	DESCRIPTION	CHG NO	ORIG	DATE	APPD BY	DATE

ENG Ralph MacKenzie	APPD <i>Ralph M. MacKenzie 10/17/78</i>	SIZE A	CODE SP	NUMBER H7834-0-2	REV
------------------------	--	-----------	------------	---------------------	-----

ENGINEERING SPECIFICATION	digital	CONTINUATION SHEET		
TITLE H7834 POWER SUPPLY				
<p>1.0 <u>Characteristics</u></p> <p>1.1 <u>Performance</u></p> <p>1.1.1 <u>Inputs</u></p> <p>The module shall perform as specified herein when supplied with the inputs described in the following paragraphs.</p> <p>1.1.1.1 <u>Voltage</u></p> <p>The AC input voltage shall be one phase, two wire, switch selectable in two ranges:</p> <p style="margin-left: 40px;">87 - 128 VRMS 174 - 256 VRMS</p> <p>1.1.1.2 <u>Frequency</u></p> <p>The frequency of the AC input voltage shall be 47 - 63 Hz.</p> <p>1.1.1.3 <u>Current</u></p> <p>The input current shall be as follows:</p> <p style="margin-left: 40px;">1.3 A RMS maximum at 87 VRMS 0.7 A RMS maximum at 174 VRMS</p> <p>1.1.1.4 <u>Inrush Current</u></p> <p>The input inrush current shall be as follows:</p> <p style="margin-left: 40px;">50A peak for ½ cycle at 128 VRMS 50A peak for ½ cycle at 256 VRMS</p> <p>1.1.1.5 <u>Power</u></p> <p>The input power shall be 65 watts maximum. Apparent input power shall be 110 VA maximum.</p> <p>1.1.1.6 <u>Power Factor</u></p> <p>The power factor shall be 0.6 minimum at full load and 87 VRMS.</p> <p>1.1.1.7 <u>Leakage Current</u></p> <p>When installed in the LA34 terminal the leakage current shall be 0.5 MA RMS max each line to ground at 250V RMS sine, 50 Hz.</p>				
	SIZE A	CODE SP	NUMBER H7834-0-2	REV

ENGINEERING SPECIFICATION

digital

CONTINUATION SHEET

TITLE H7834 POWER SUPPLY

1.1.1.8 Overcurrent

The input overcurrent protection is provided by a user accessible 3A normal blow fuse.

1.1.1.9 Electromagnetic Interference/Susceptibility

When installed in the LA34 the conducted or radiated interference/susceptibility shall be as follows:

1.1.1.9.1 Conducted Transients

System degradation shall not be caused by a single 300V, 0.2 watt sec. maximum voltage transient. Survival level for a single voltage transient shall be 1000V at 2.5 watt-sec max. Survival level for an average power transient shall be 0.5W maximum.

1.1.1.9.2 Conducted CW Noise

Conducted CW noise shall not exceed the following:

10 KHz to 3 MHz	3VRMS max.
3 MHz to 500 MHz	1VRMS max.
500 MHz to 1 GHz	0.5VRMS max.

1.1.1.9.3 RF Field Susceptibility

The following RF fields shall not cause system degradation (with the power supply installed in the terminal)

10 KHz to 30 MHz	1V/M max.
30 MHz to 1 GHz	10V/M max.

1.1.1.10 Power Line Disturbances

With the module installed in the terminal, the performance with power line disturbances shall be as follows:

1.1.1.10.1 Overvoltage

The H7834 power supply shall withstand for one second 117% of the rated maximum input voltages specified in 1.1.1.1 without causing system degradation or damage.

SIZE	CODE	NUMBFR	REV
A	SP	H7834-Ø-2	

ENGINEERING SPECIFICATION

digital

CONTINUATION SHEET

TITLE H7834 POWER SUPPLY

1.1.1.10.2 Undervoltage

The H7834 power supply module shall withstand undervoltages and power interruptions without sustaining damage or causing damage to the LA34.

1.1.1.10.3 Ride Through

At 87VRMS input and full load, all outputs shall remain within their specified limits for 20 milliseconds minimum.

1.1.1.11 Electromagnetic Interference

With the module installed in the terminal, the conducted and radiated emissions level shall be as follows:

1.1.1.11.1 Conducted Emission

The conducted emissions shall satisfy the VDE A limit.

1.1.1.11.2 Radiated Emissions

The radiated emissions shall satisfy the VDE A limit.

1.1.1.12 Dielectric Withstanding

With the AC power disconnected the module shall withstand the application of the following high voltage direct current levels without damage or arcing.

1.1.1.12.1 Input to Frame

The module shall withstand 2.5 KV DC from input to frame for one minute.

1.1.1.12.2 Input to Output

The module shall withstand 2.5 KV DC from input to output for one minute.

SIZE	CODE	NUMBFR	REV
A	SP	H7834-Ø-2	

ENGINEERING SPECIFICATION

CONTINUATION SHEET

TITLE H7834 POWER SUPPLY

1.1.2 Outputs

The module shall provide outputs as defined in the following paragraphs. All outputs are defined at the output connector J2.

1.1.2.1 Currents

The output currents shall meet the requirements of a single LA00 terminal.

- +5.1 VDC at 0.5A minimum to 3.0A maximum
- +12 VDC at 0.02A minimum to 0.2A maximum
- 12VDC at 0.02A minimum to 0.2A maximum
- +21 VDC at 0A minimum to 1.0A maximum
- 21 VDC at 0.1A minimum to 1.0A maximum

The total average power from the +21V and -21V outputs is limited to 21 watts.

1.1.2.2 Voltages

The output voltages shall have the following tolerances under the specified loads.

1.1.2.2.1 +5.1 volt Output

the +5.1 volt output shall have the following characteristics as measured at Pin 3 (Pin 2 return) of J2:

- a) Overall regulation: +5%
- b) Initial tolerance +1%
- c) Static line regulation: +0.5%
- d) Static load regulation: +1.5%
- e) Long term stability: +0.1%/1000 hrs.
- f) Thermal drift: -0.01 + .01%/°C
- g) Ripple: 200 MV p-p for $f \leq 20$ KHz
- h) Noise: 200 MV peak to peak at $f \leq 100$ KHz
- i) Dynamic load regulation: TBDL

1.1.2.2.2 +21 Volt Output

The +21 volt output shall have the following characteristics as measured at Pin 7 (Pin 6 return) of J2:

- a) Overall regulation: +10%

SIZE	CODE	NUMBER	REV
A	SP	H7834-Ø-2	

ENGINEERING SPECIFICATION

CONTINUATION SHEET

TITLE H7834 POWER SUPPLY

1.1.2.2.2 (continued)

- b) Initial tolerance +3%
- c) Static line regulation: +0.5%
- d) Static load regulation: +4%
- e) Long term stability: +0.1%/1000 hrs.
- f) Thermal drift: -0.05 + .05%/°C
- g) Ripple: 200 MV p-p max for $f \leq 20$ KHz
- h) Noise: 1% peak at $f \leq 100$ KHz
- i) Dynamic load regulation: ±3.5% based upon any one of the following load conditions
 - 1) $2 \pm 0.25A$ load switched at 50% duty cycle at a PRF of 5 to 500 Hz (minimum loading on -21V output during this time).
 - 2) Triangular pulsed load of $7 \pm 1A$ peak amplitude, average value of $3.5 \pm 0.25A$ pulse width of 1 ± 0.1 msec (msec) at base of triangle), and a PRF of 0 to 140 Hz (identical loading on -21V output during this time).
 - 3) Triangular pulsed load of $2 \pm 0.25A$ peak amplitude, average value of $1 \pm 0.1A$, pulse width of 1 ± 0.1 msec (at base of triangle), and a PRF of 0 to 500 Hz (identical loading on -21V output during this time).

1.1.2.2.3 -21 Volt Output

The -21 volt output shall have the following characteristics as measured at Pin 5 (Pin 6 return) of J2:

- a) Overall regulation: + 10%
- b) Initial tolerance: +3%
- c) Static line regulation: + 0.5%
- d) Static load regulation: + 4%
- e) Long term stability: +0.1%/1000 hrs.
- f) Thermal Drift: -0.05 + 0.5%/°C
- g) Ripple: 200 MV p-p maximum for $f \leq 20$ KHz

SIZE	CODE	NUMBER	REV
A	SP	H7834-Ø-2	

ENGINEERING SPECIFICATION

digital

CONTINUATION SHEET

TITLE H7834 POWER SUPPLY

1.1.2.2.3 (continued)

- h) Noise: 1% peak at $f \leq 100$ KHz
- i) Dynamic load regulation: $\pm 3.5\%$ based upon any one of the following load conditions
- 1) $2 \pm 0.25A$ load switched at 50% duty cycle at a PRF of 5 to 500 Hz (minimum loading on +21V output during this time).
 - 2) Triangular pulse load of $7 \pm 1A$ peak amplitude, average value of $3.5 \pm 0.25A$, pulse width of 1 ± 0.1 msec (at base of triangle). and a PRF of 0 to 140 Hz. (identical loading on +21V output during this time).
 - 3) Triangular pulsed load of $2 \pm 0.25A$ peak amplitude, average value of $1 \pm 0.1A$, pulse width of 1 ± 0.1 msec (at base of triangle) and a PRF of 0 to 500 Hz (identical loading on +21V output during this time).

1.1.2.2.4 +12 Volt Output

The +12 volt output shall have the following characteristics as measured at Pin 8 (Pin 1 return) of J2:

- a) Overall regulation: $\pm 5\%$
- b) Initial tolerance: $\pm 4\%$
- c) Static line regulation: $\pm 0.25\%$
- d) Static load regulation: $\pm 0.25\%$
- e) Long term stability: $\pm 0.2\%/1000$ hrs
- f) Thermal drift: $\pm .004\%/^{\circ}C$
- g) Ripple: 2.0 MV p-p max for $f \leq 20$ KHz
- h) Noise: 1% peak at $f \leq 100$ KHz
- i) Dynamic load regulation: TBDL

SIZE	CODE	NUMBER	REV
A	SP	H7834- ϕ -2	

ENGINEERING SPECIFICATION

digital

CONTINUATION SHEET

TITLE H7834 POWER SUPPLY

1.1.2.2.5 -12 Volt Output

The -12 volt output shall have the following characteristics as measured at Pin 9 (Pin 1 return) of J2):

- a) Overall regulation: $\pm 5\%$
- b) Initial tolerance: $\pm 3.5\%$
- c) Static line regulation: $\pm 0.2\%$
- d) Static load regulation: $\pm 0.7\%$
- e) Long term stability: $\pm 0.2\%/1000$ hrs.
- f) Thermal drift: $\pm .002\%/^{\circ}C$
- g) Ripple: 2.0 MV p-p max for $f \leq 20$ KHz
- h) Noise: 1% peak at $f \leq 100$ KHz
- i) Dynamic load regulation: TBDL

1.1.2.3 Overload Protection

Overload protection is provided for all outputs.

1.1.2.3.1 +5V Output

Current limit point: $3.5 \pm 0.3A$
Short circuit current ($R \leq .050$ ohms) :
2.0A maximum

1.1.2.3.2 +21V Output

Current limit point: $2.8 \pm 0.3A$
Short circuit current ($R \leq .050$ ohms) :
6.0A maximum

1.1.2.3.3 -21V Output

Current limit point: $2.8 \pm 0.3A$
Short circuit current ($R \leq .050$ ohms) :
6.0A maximum

1.1.2.3.4 +12V Output

Current limit point: $0.4 \pm 0.1A$
Short circuit current: 0.65A maximum

SIZE	CODE	NUMBER	REV
A	SP	H7834- ϕ -2	

TITLE H7834 POWER SUPPLY

1.1.2.3.5 -12V OutputCurrent limit point: $0.4 \pm 0.1A$

Short circuit current: 0.65A maximum

1.1.2.4 Overvoltage Protection

Overvoltage protection is provided for the +5.0V output.

Overvoltage limit point: $+5.4 \pm 0.1 VDC$ 1.2 Environmental Conditions

The H7834 power supply module shall perform as specified herein when installed in the LA34 terminal under the following environmental conditions:

1.2.1 Ambient Temperature

a) Operating: 0 to 40°C

b) Non-operating: -40 to +85°C

1.2.2 Temperature Shock

1°C/sec

1.2.3 Humidity

Per DEC Standard 102 Class B and Paragraph 3.1 and 3.2

1.2.4 Shock

Per DEC Standard 102 Class B and Paragraph 5.1 and 5.2

1.2.5 Vibration

Per DEC Standard 102 Class and Paragraph 6.1 and 6.2

1.3 Design and Construction

Design and construction of the power supply module shall be in accordance with drawing E-UA-H7834-0-0 and this specification.

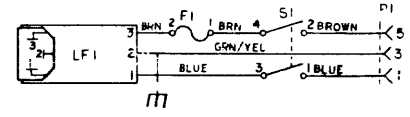
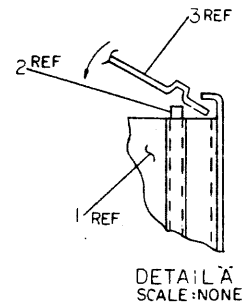
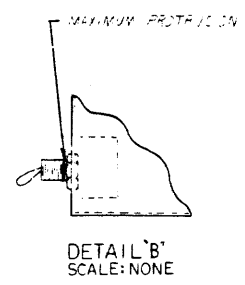
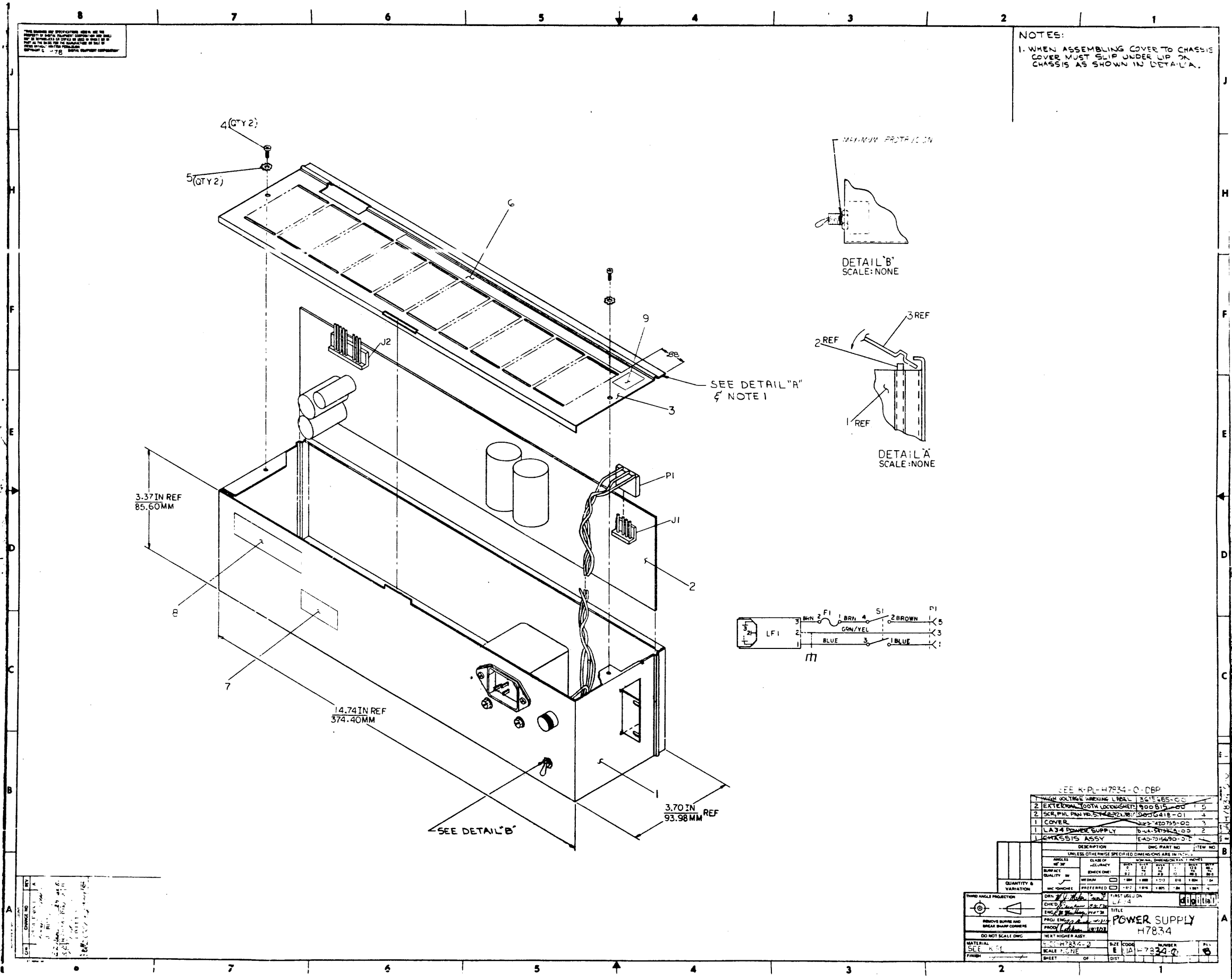
1.4 Operational Failure Rate

The calculated effective failure rate shall be $NGT 20 \times 10^{-6}$ failures per hour.

SIZE	CODE	NUMBER	REV
A	SP	H7834-0-2	

THIS DRAWING AND SPECIFICATIONS HEREBY ARE THE PROPERTY OF SULLY ELECTRIC COMPANY AND WILL BE FURNISHED TO YOU ON AN AS-BUILT BASIS. IT IS NOT TO BE REPRODUCED OR TRANSMITTED IN ANY FORM OR BY ANY MEANS, ELECTRONIC OR MECHANICAL, INCLUDING PHOTOCOPYING, RECORDING, OR BY ANY INFORMATION STORAGE AND RETRIEVAL SYSTEM.

NOTES:
 1. WHEN ASSEMBLING COVER TO CHASSIS COVER MUST SLIP UNDER LIP ON CHASSIS AS SHOWN IN DETAIL 'A'.



REV	DATE	DESCRIPTION
1		

SEE K-PL-47934-0-DBP

1	COVER	420755-00	3
2	CHASSIS ASSY	445701460-01	2
3	LA34 POWER SUPPLY	574-5822-00	2
4	EXTERNAL LOCKWASHER	900615-00	1
5	HIGH VOLTAGE WARNING LABEL	301485-00	1

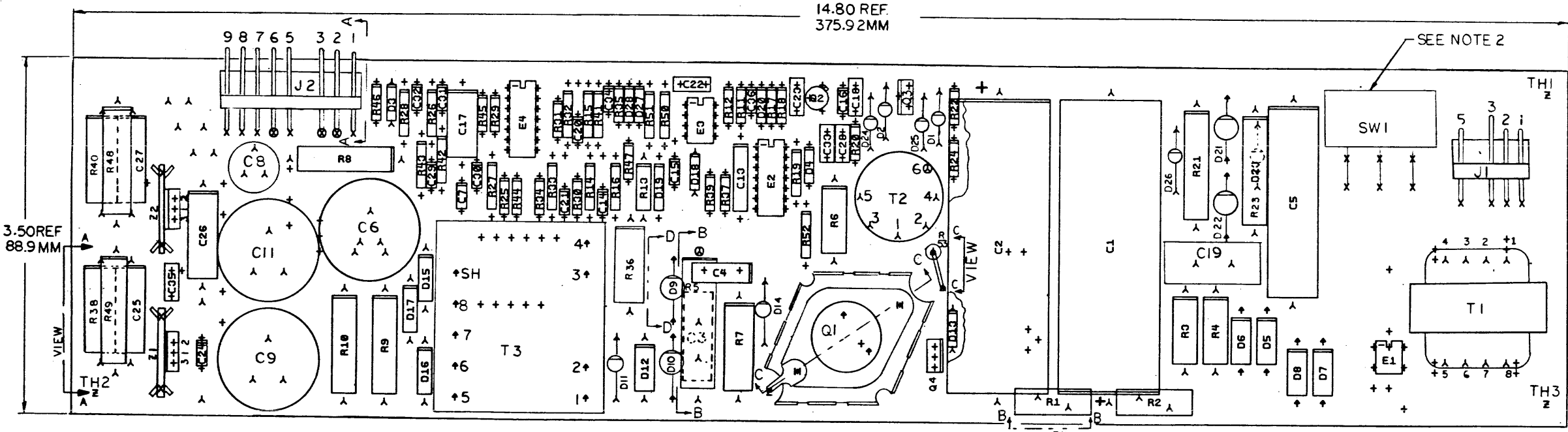
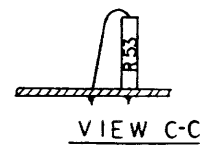
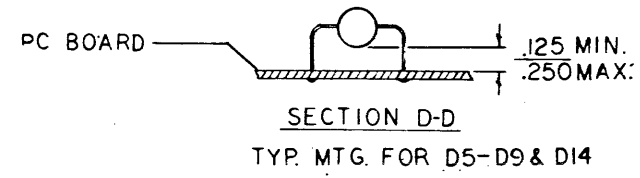
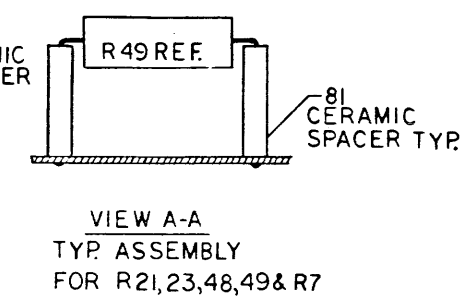
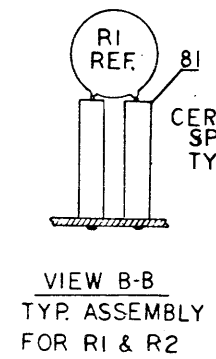
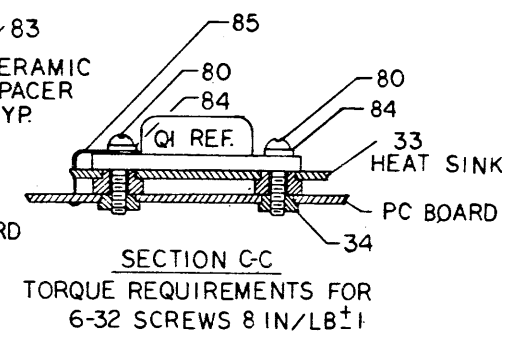
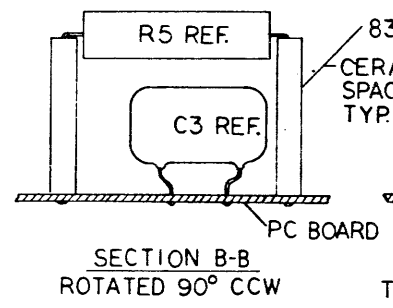
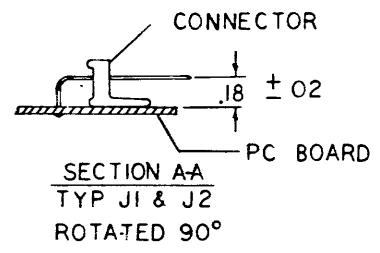
UNLESS OTHERWISE SPECIFIED DIMENSIONS ARE IN INCHES	
ANGLES	CLASS OF ACCURACY
SURFACE	FINISH
QUALITY	INSPECTION
QUANTITY & VARIATION	ASSEMBLY
THIRD ANGLE PROJECTION	FIRST USE ONLY
REMOVE BURRS AND BREAK SHARP CORNERS	DO NOT SCALE DIMS
MATERIAL	FINISH

DRN	CHKD	ENGR	PROJ	APPR	DATE

TITLE	POWER SUPPLY
NUMBER	H7834
SCALE	NONE
SHEET	OF 1

THIS BOARD AND COMPONENTS THEREON ARE THE PROPERTY OF THE UNITED STATES GOVERNMENT. IT IS TO BE REPRODUCED AND TRANSMITTED IN ANY FORM OR BY ANY MEANS, ELECTRONIC OR MECHANICAL, INCLUDING PHOTOCOPYING, RECORDING, OR BY ANY INFORMATION STORAGE AND RETRIEVAL SYSTEM, WITHOUT PERMISSION IN WRITING FROM THE DIRECTOR, ARPA, WASH. D.C. 20304.

COMPONENT SIDE VIEW



NOTES:
1. THIS BOARD MUST MEET W/L REQ.
2. SW1 MUST BE HAND INSERTED AND HAND SOLDERED AFTER WAVE SOLDER.

CHK/CHANGE NO	REV	DATE	BY	APP
1	1	1-29-79	J. BITTO	
2	2	1-29-79	J. BITTO	
3	3	3-5-79	J. BITTO	
4	4	3-5-79	J. BITTO	
5	5	6-3-79	J. BITTO	

ETCH REV. D.	
DESIGN DATA BRSE REV.	

SIGNATURES	DATE
DRN. COSTA	1-29-79
CHK'D. COSTA	1-29-79
ENG. RALPH M. MACKENZIE	3-5-79
PROJ. ENG. R. M. MACKENZIE	3-5-79
PROD. V. ERDEKIAN	6-3-79

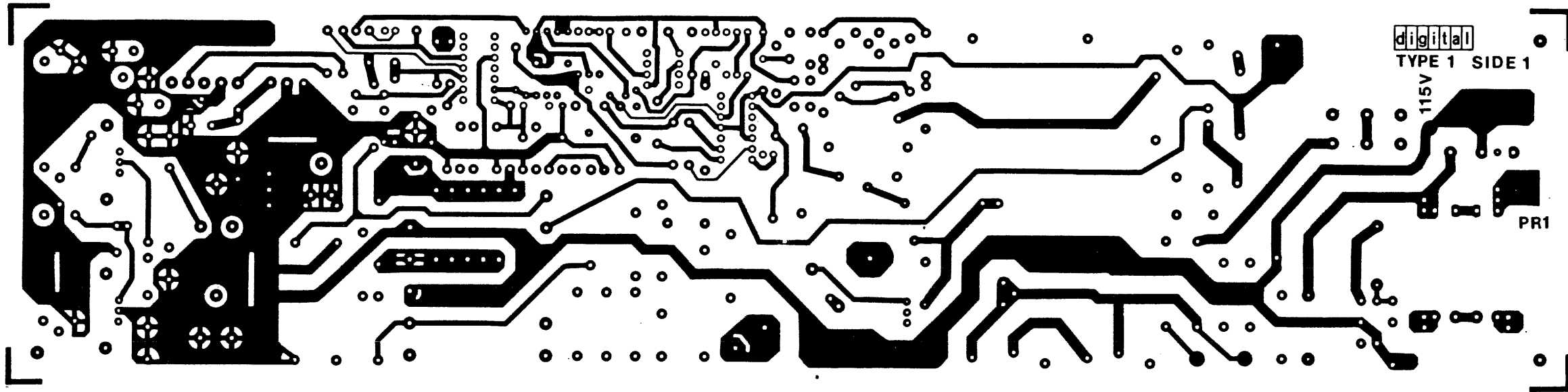
digital
TITLE LA 34
POWER SUPPLY
SIZE CODE NUMBER REV
d UA 5413325-0-0 J

DUA 5413325-0-0

1 MS#

THIS DRAWING AND SPECIFICATIONS HEREIN ARE THE PROPERTY OF DIGITAL EQUIPMENT CORPORATION AND SHALL NOT BE REPRODUCED OR COPIED OR USED IN WHOLE OR IN PART AS THE BASIS FOR THE MANUFACTURE OR SALE OF ITEMS WITHOUT WRITTEN PERMISSION. COPYRIGHT © 1979 DIGITAL EQUIPMENT CORPORATION.

J 0-0-2243195 V D 2 1



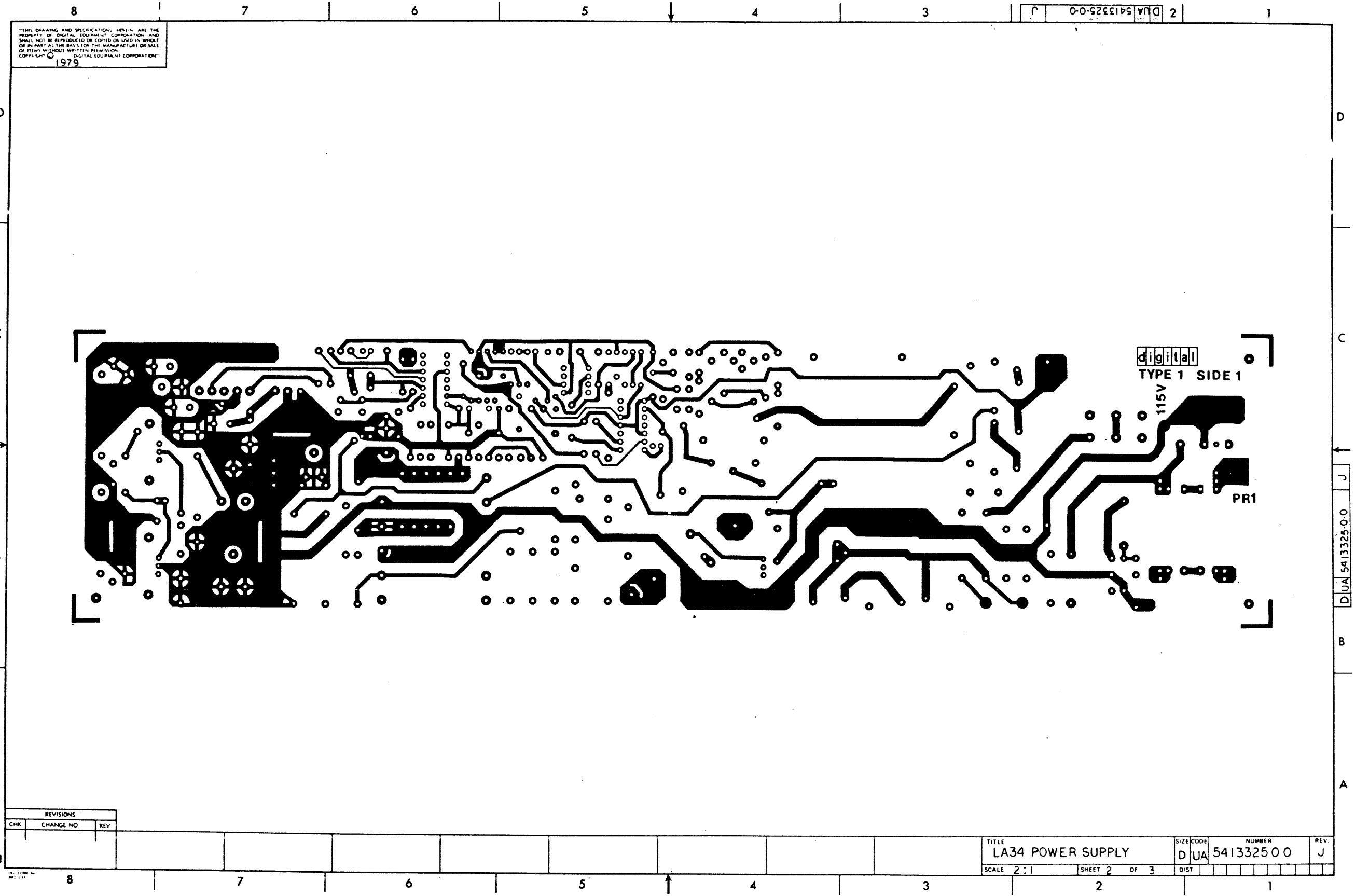
digital
TYPE 1 SIDE 1

115V

PR1

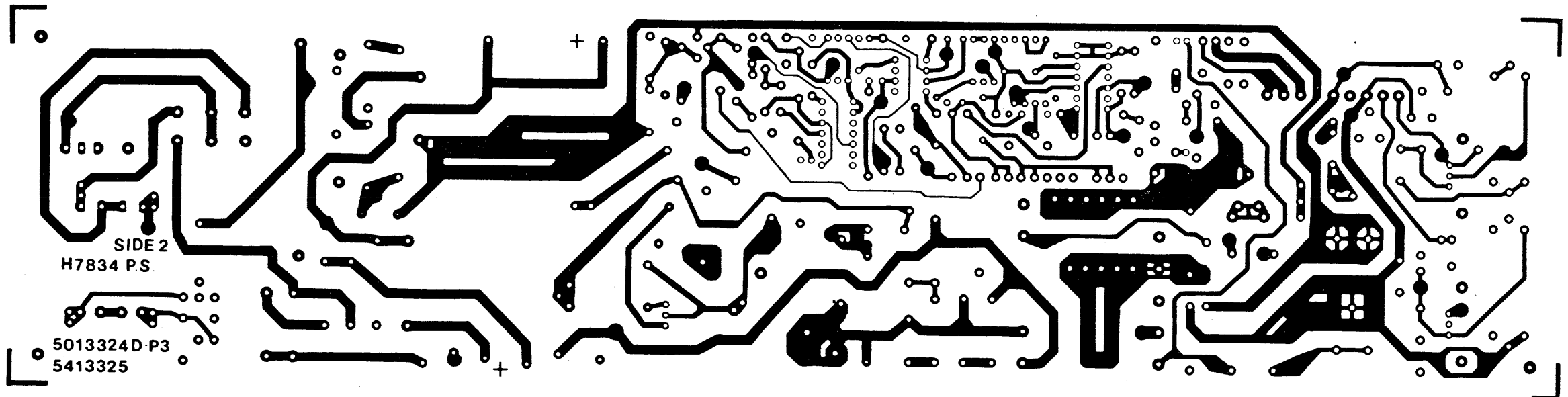
REVISIONS		
CHK	CHANGE NO	REV

TITLE	LA34 POWER SUPPLY	SIZE CODE	D U A	NUMBER	5413325 0 0	REV.	J
SCALE	2:1	SHEET	2	OF	3	DIST	



THIS DRAWING AND SPECIFICATIONS HEREIN ARE THE PROPERTY OF DIGITAL EQUIPMENT CORPORATION AND SHALL NOT BE REPRODUCED OR COPIED OR USED IN WHOLE OR IN PART AS THE BASIS FOR THE MANUFACTURE OR SALE OF ITEMS WITHOUT WRITTEN PERMISSION. COPYRIGHT © DIGITAL EQUIPMENT CORPORATION 1979

D UA 5413325-0-0 2 J



SIDE 2
H7834 P.S.

5013324 D-P3
5413325

D UA 5413325-0-0 J

REVISIONS		
CHK	CHANGE NO	REV

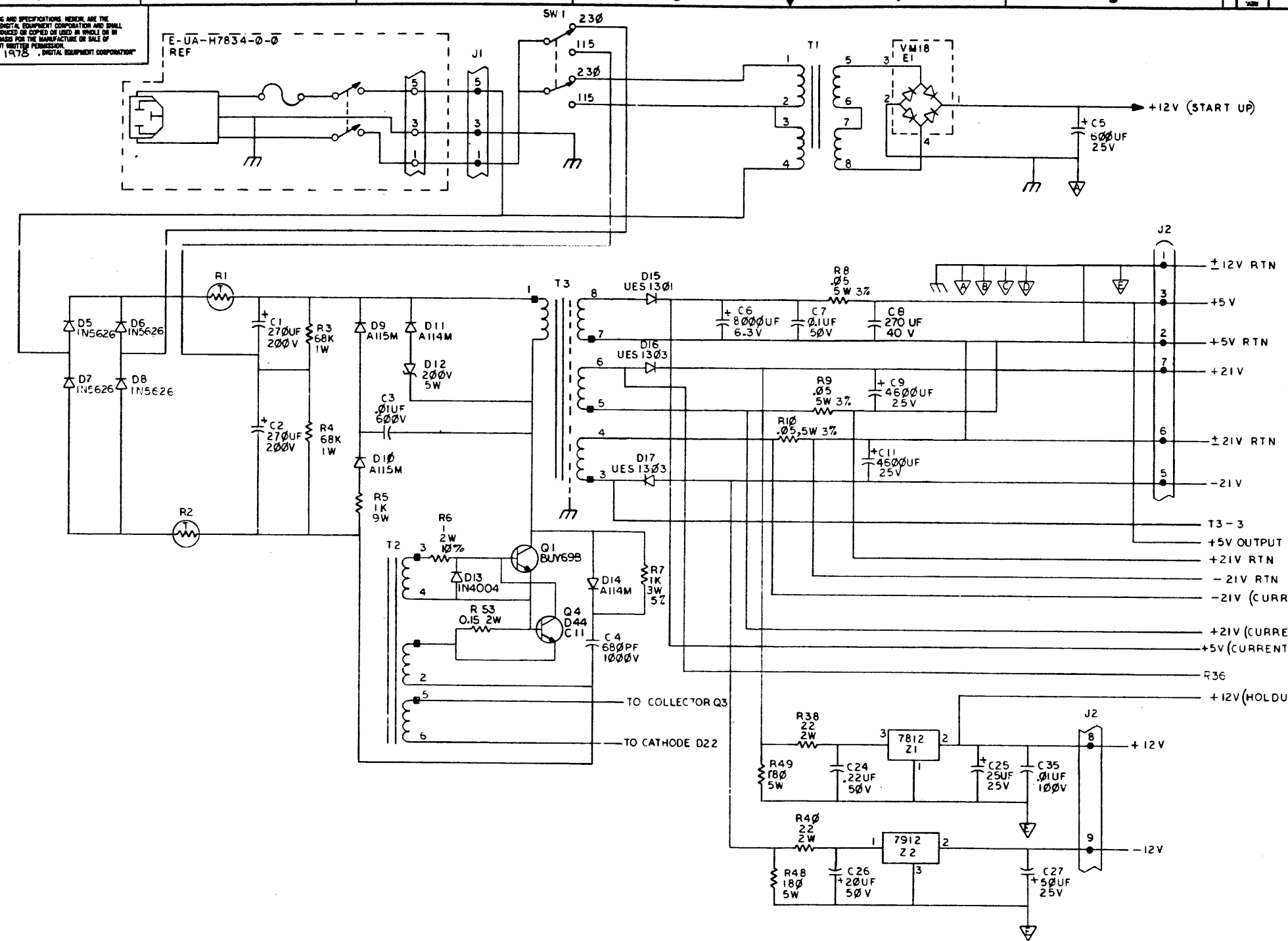
TITLE LA34 POWER SUPPLY
SCALE 2:1
SHEET 3 OF 3
SIZE CODE D UA
NUMBER 5413325-0-0
REV J

8 7 6 5 4 3 2 1

"THIS DRAWING AND SPECIFICATIONS HEREIN ARE THE PROPERTY OF DIGITAL EQUIPMENT CORPORATION AND SHALL NOT BE REPRODUCED OR COPIED OR USED IN WHOLE OR IN PART AS THE BASIS FOR THE MANUFACTURE OR SALE OF ITEMS WITHOUT WRITTEN PERMISSION.
COPYRIGHT © 1975, DIGITAL EQUIPMENT CORPORATION"

E-UA-H7834-0-0 REF

NOTES:
1. UNLESS OTHERWISE SPECIFIED ALL RESISTORS ARE 1/4 W, 5%.



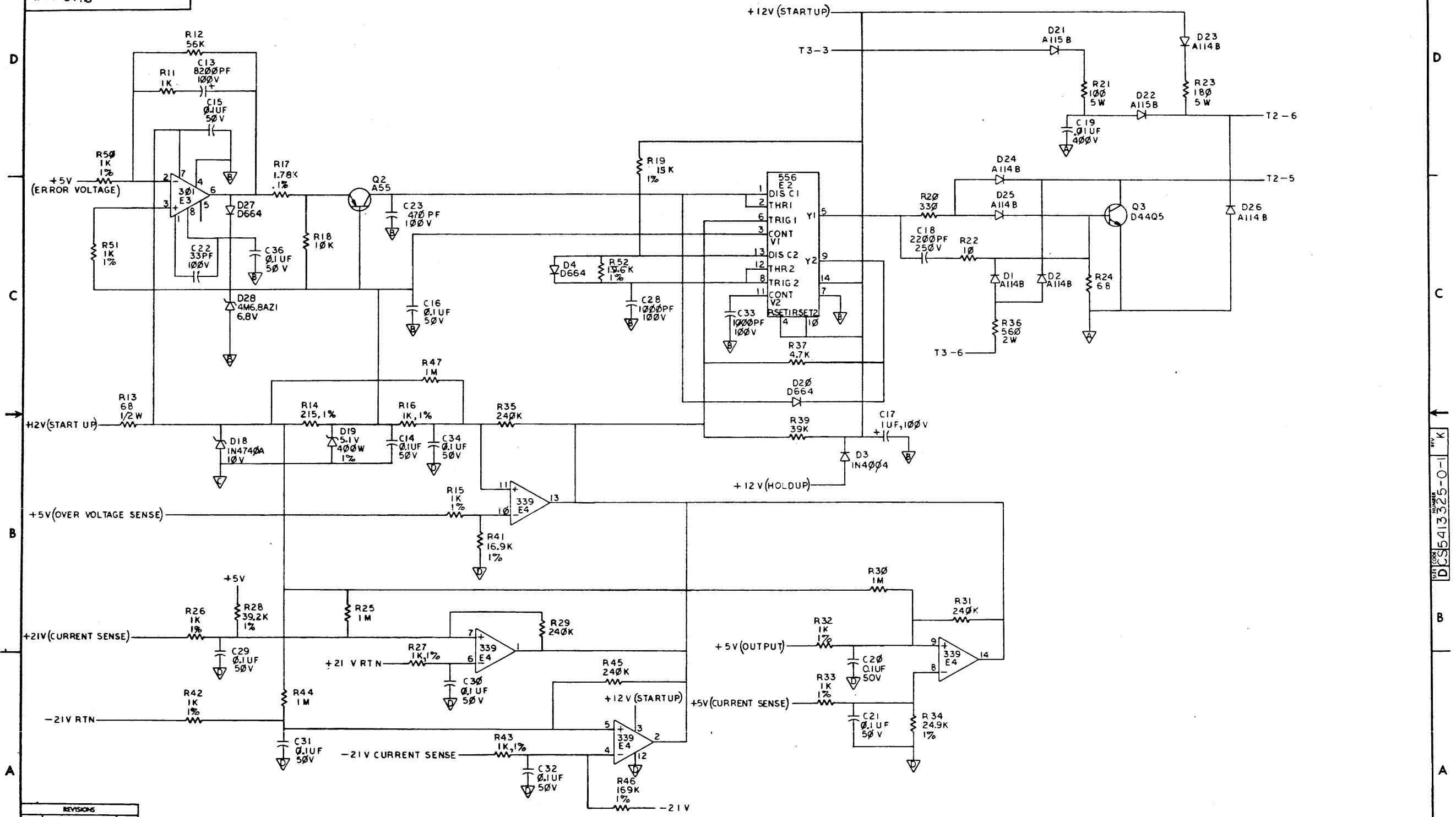
REV.	DATE	BY	CHKD.
1	10/1/75	J. BITTO	J. BITTO
2	10/1/75	J. BITTO	J. BITTO
3	10/1/75	J. BITTO	J. BITTO
4	10/1/75	J. BITTO	J. BITTO
5	10/1/75	J. BITTO	J. BITTO
6	10/1/75	J. BITTO	J. BITTO
7	10/1/75	J. BITTO	J. BITTO
8	10/1/75	J. BITTO	J. BITTO

DRN. <i>J. Bitto</i>	9 MAR 78	FIRST USED ON	LA34
CHKD. <i>J. Bitto</i>	11/1/78	TITLE	LA34
ENG. <i>J. Bitto</i>	11/1/78	POWER SUPPLY	
PROJ. ENG. <i>J. Bitto</i>	11/1/78		
PROD. <i>J. Bitto</i>	11/1/78		
NEXT HIGHER ASSY.			
D-UA-5413325-0-0	SIZE CODE	NUMBER	REV.
SCALE	D	CS 5413325-0-1	K
SHEET 1 OF 2	DIST.		

Handwritten notes:
1. 1/2 W 5%
2. 1/4 W 5%

CS 5413325-0-1 K

"THIS DRAWING AND SPECIFICATIONS, HEREIN, ARE THE PROPERTY OF DIGITAL EQUIPMENT CORPORATION AND SHALL NOT BE REPRODUCED OR COPIED OR USED IN WHOLE OR IN PART AS THE BASIS FOR THE MANUFACTURE OR SALE OF ITEMS WITHOUT WRITTEN PERMISSION. COPYRIGHT © 1972 DIGITAL EQUIPMENT CORPORATION"



REVISIONS		
CHK	CHANGE NO.	REV.

LINE ITEM	DOCUMENT NUMBER	PART NUMBER	DESCRIPTION	QTY PER VARIATION	REFERENCE DESIGNATOR
				00	
1	1	D-MD-5013324-0-0	LA34 POWER SUPPLY	1	
2	2	1000009-00	33.0 MMF 100V 55200PPM MICA	1	C22
3	3	1000042-00	1000.0 MMF 100V 5%200PPM MICA	2	C28,C33
4	4	1000055-00	2200.0 MMF 250V 20% Y5S DISC	1	C18
5	5	1000061-00	.0082 MFD 100V 10% MYLR	1	C13
6	6	1000075-00	25 MFD 25V +75-10% AL EL	1	C25
7	7	1001610-01	.01 MFD50/100V +80-20% DISC	1	C35
8	8	1001796-00	50 MFD 25V +75-10% AL EL	1	C27
9	9	1002837-00	20 MFD 50V +75-10% AL EL	1	C26
10	10	1005507-00	1 MFD 100V +50-10% AL EL	1	C17
11	11	1011847-01	.01 MFD 400V 10% POLYPROP	1	C19
12	12	1011847-02	.01 MFD 600V 10% POLYPROP	1	C3
13	13	1011849-01	600 MFD 25V +75-10% AL EL	1	C5
14	14	1013280-00	680.0 MMF 1000V 5%200PPM MICA	1	C4
15	15	1014265-00	.22 MFD 50V +80-20% CER	1	C24
16	16	1014265-01	.1 MFD 50V +80-20% CER	12	C7,C14,C15,C16,C21,C29,C30,C31, CONT C32,C34,C36,C20
17	17	1015466-00	3000 MFD 6.3V +75-10% AL EL	1	C6
18	18	1015377-00	4600 MFD 25V +75-10% AL EL	2	C9,C11
19	19	1015519-00	270 MFD 200V +50-10% AL EL	2	C1,C2
20	20	1100114-00	D 664 Q5\75PCB PIV= 25V SP	3	D4,D20,D27
21	21	1105796-00	1N 4004 PIV=400 I= 1A D041 SP	2	D3,D13
22	22	1105873-00	4M5-1AZ1 VZ= 5.1 1% .400W	1	D19
23	23	1112594-01	A115R PIV=200 I= 3A	2	D21,D22
24	24	1112594-02	A115M PIV=600 I= 3A	2	D9,D10
25	25	1112595-01	A114B PIV=200 I= 1A	6	D1,D2,D23-D25,D26
26	26	1112595-02	A114M PIV=600 I= 1A	2	D11,D14
27	27	1113123-00	1.5K3200 VOLT.TRANS.SUPPRESS. 220	1	D12
28	28	1114377-00	1N 4740A VZ= 10.0 5% 1W	1	D18
29	29	1114893-00	UES1301 PIV= 50 I= 6A	1	D15

REVISION HISTORY		BASIC PART NO: 5413325		DRN:	R E JOSEPHSON	DATE:	21-FEB-78	DIGITAL			
ENG	ECO NUMBER	REV	SECTION A OF A	CHK'D:	T. SHETRAWSKI	DATE:	7-JUN-78	TITLE PARTS LIST			
---	INIT	B	SECTION.VARIATION INDEX	CHK'D:	T. SHETRAWSKI	DATE:	7-JUN-78	TITLE PARTS LIST			
JD	PN001	C	[A] 00					H7834 POWER SUPPLY MODULE			
JB	PN003	D	[B]								
JB	PN002	E	[C]	DES.ENG:	RALP MACKENZIE	DATE:	7-JUN-78				
JB	PN004	F	[D]								
JB	PN005	H	[E]								
GC	PN007	J	[F]	RESP.ENG.:	R MACKENZIE	DATE:	7-JUN-78	DOCUMENT NUMBER			
			[G]					SIZE	CODE	NUMBER	REV
			[H]								
			[I]	MFG.ENG.:	DON BEVINS	DATE:	7-JUN-78	K	PL	5413325-0-DBP	J
			[J]								
			[K]	ASSEMBLY NUMBER:		TOP DOCUMENT NUMBER:		FILE NAME:		EDIT #	
			[L]	IE-UA-5413325-0-0		IB-DD-5413325-0-0		13325J.PLS		32	
			[M]								
			[N]								

*THIS DRAWING AND SPECIFICATIONS HEREIN, ARE THE PROPERTY OF DIGITAL EQUIPMENT CORPORATION AND SHALL NOT BE REPRODUCED OR COPIED OR USED IN WHOLE OR IN PART AS THE BASIS FOR THE MANUFACTURE OR SALE OF ITEMS WITHOUT WRITTEN PERMISSION. COPYRIGHT (C) 1981. DIGITAL EQUIPMENT CORPORATION *

LINE	ITEM	DOCUMENT NUMBER	PART NUMBER	DESCRIPTION	QTY	PER VARIATION	REFERENCE DESIGNATOR
					00		
30	30		1115182-00	1N 5626 PIV=600 I= 3A	4		D5-D8
31	31		1115272-00	UES1303 PIV=150 I=6A	2		D16,D17
32	32		1115369-00	VM 18 PIV=100 I=1A	1		E1
33	33		1213426-04	HEAT SINK TO-3 CLEAR ANODIZED	1		
34	34		1214789-00	INSERT,THREADED 6-32 ,BRASS,ELEC	2		
35	35		1215307-00	HEADER 9POS RIGHT ANGLE	1		J2
36	36		1215307-01	HEADER 5POS RIGHT ANGLE	1		J1
37	37		1216064-00	SW,LOCK 2P RIGHT ANGLE TER	1		SW1
38	38		1300219-00	68.0 .25 W 5.0 % CC	1		R24
39	39		1300295-00	330.0 .25 W 5.0 % CC	1		R20
40	40		1300365-00	1.0 K .25 W 5.0 % CC	1		R11
41	41		1300447-00	4.70 K .25 W 5.0 % CC	1		R37
42	42		1300479-00	10.0 K .25 W 5.0 % CC	1		R18
43	43		1301317-00	10.0 .25 W 5.0 % CC	1		R22
44	44		1314675-00	1.0 K 3.0 W 5.0 % WW	1		R7
45	45		1301546-00	22.0 2.0 W 5.0 % CC	2		R38,R40
46	46		1301927-00	560.0 2.0 W 5.0 % CC	1		R36
47	47		1302395-00	56.0 K .25 W 5.0 % CC	1		R12
48	48		1302514-00	39.0 K .25 W 5.0 % CC	1		R39
49	49		1303114-00	1.0 K .25 W 1.0 % RN55D-F10	10		R15,R16,R26,R27,R32,R33,R42,R43,
						CONT	R50,R51
50	50		1302612-00	1.78 K .25 W 1.0 % RN55D-F10	1		R17
51	51		1305123-00	215.0 .25 W 1.0 % RN55D-F10	1		R14
52	52		1305265-00	39.20 K .25 W 1.0 % RN55D-F10	1		R28
53	53		1305405-00	24.90 K .25 W 1.0 % RN55D-F10	1		R34
54	54		1309094-00	100.0 5.0 W 5.0 % WW	1		R21
55	55		1309405-00	68.0 .50 W 5.0 % CC	1		R13
56	56		1313752-00	15.0 K .25 W 1.0 % RN55D-F10	1		R19
57	57		1309595-00	1.0 M .25 W 5.0 % CC	4		R25,R30,R44,R47
58	58		1310876-03	.05 5.0 W 3.0 % WW	3		R8-R10
59	59		1312618-00	16.90 K .25 W 1.0 % RN55D-F10	1		R41
60	60		1312655-00	180.0 5.0 W 5.0 % WW	3		R23,R48,R49
61	61		1312925-00	169.0 K .25 W 1.0 % RN55D-F10	1		R46
62	62		1313191-00	1.0 K 9.0 W 5.0 % WW	1		R5
63	63		1314253-00	240.0 K .25 W 5.0 % CC	4		R29,R31,R35,R45
64	64		1314270-00	5.0 15.0 % NTC THERM	2		R1,R2
65	65		1314350-00	1.0 2.0 W10.0 % FUSE	1		R6
66	66		1315586-00	68.0 K 1.0 W 5.0 % CC	2		R3,R4
67	67		1510706-00	XA 55 PNP 500MW SI 60 50 P	1		Q2
68	68		1512782-00	NPN 100W S1325 15	1		Q1
69	69		1514271-01	D 44Q5 NPN 31W SI225 30	1		Q3
70	70		1614778-00	XFMR P-AB S=6.0@ 100MA	1		T1
71	71		1612920-02	PULSE XFMR 30KHZ VT61	1		T2
72	72		1615559-01	XFMR P=240/360DC 54-13325	1		T3
73	73		1910282-00	301AN OP AMP	1		E3
74	74		1912048-01	*** THIS ITEM IS NOT USED ***	-		
75	75		1912108-00	339 VOLT CMPRTR,QUAD	1		E4
76	76		1914392-00	556 TIMER-DUAL	1		E2

D I G I T A L										TITLE	SECTION A OF A		SIZE	CODE	DOCUMENT NUMBER	REV
										H7834 POWER SUPPLY MODULE			K	PL	5413325-0-DBP	J

LINE ITEM	DOCUMENT NUMBER	PART NUMBER	DESCRIPTION	QTY PER VARIATION 00	REFERENCE DESIGNATOR
77	77	1914517-01	*** THIS ITEM IS NOT USED ***	-	
78	78	7015917-00	HEAT SINK ASSY	1	Z1
79	79	7015917-01	HEAT SINK ASSY	1	Z2
80	80	9006023-01	SCREW,PAN,PHIL 6-32X 7/16 SS	2	
81	81	9009798-00	SPACER, CERAMIC, .186 ODX.078 ID	14	
82	82	9009798-01	*** THIS ITEM IS NOT USED ***	-	
83	83	9009798-02	SPACER, CERAMIC, .186 ODX.078 ID	2	
84	84	9009882-00	WASHER, LOCK, INT TOOTH #6	2	
85	85	9009676-00	TERM LUG 1POS SOLDER	1	
86	86	1309419-00	19.60 K .25 W 1.0 Z RN55D F10	1	R52
87	87	1000020-00	*** THIS ITEM IS NOT USED ***	-	
88	88	1310147-00	.15 2.0 W10.0 Z WW	1	R53
89	89	1109991-01	4M6.8AZ1 VZ= 6.8 1% .40W	1	D28
90	90	1512790-00	D 44C12 NPN 30W SI	1	Q4
91	91	1012607-04	270 MFD 40V+100-10% AL EL	1	C8
92	92	1000024-00	470.0 MMF 100V 5%200PPM MICA	1	C23

D	I	G	I	T	A	L	TITLE	SECTION A OF A	SIZE	CODE	DOCUMENT NUMBER	REV
							H7834 POWER SUPPLY MODULE				5413325-0-DBP	J

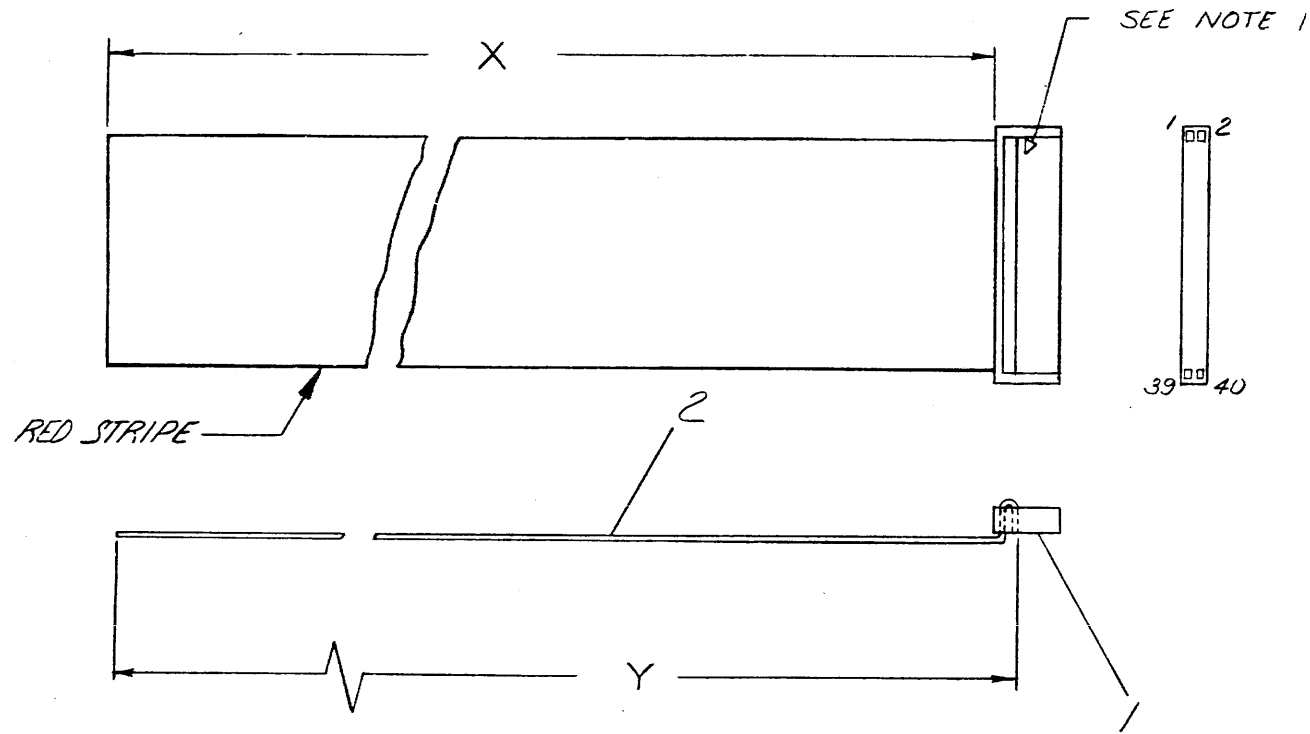
"THIS DRAWING AND SPECIFICATIONS, HEREIN, ARE THE PROPERTY OF DIGITAL EQUIPMENT CORPORATION AND SHALL NOT BE REPRODUCED OR COPIED OR USED IN WHOLE OR IN PART AS THE BASIS FOR THE MANUFACTURE OR SALE OF ITEMS WITHOUT WRITTEN PERMISSION. COPYRIGHT © 1972, DIGITAL EQUIPMENT CORPORATION"

LEGEND

NUMBER	DIA X VARIATION	DMY (PRECUT) REF
7015741-0K	8.5 IN ±.5 IN	9.0 IN

NOTES:

- ARROW OR INDEX MARK ON ITEM #1 INDICATES CONTACT POSITION #1



REV.	CHANGE NO.	REVISIONS

QTY	DESCRIPTION	DWG./PART NO.	ITEM NO.
1	CABLE, 40 COND FLAT	9107738-01	2
1	CONN, 40 POSITION	1211206-00	1
UNLESS OTHERWISE SPECIFIED DIMENSIONS ARE IN INCHES			
ANGLES ±0° 30'	CLASS OF ACCURACY (CHECK ONE)	NOMINAL DIMENSION RANGE INCHES	
SURFACE QUALITY IN	MEDIUM <input checked="" type="checkbox"/>	OVER 0 TO .12	OVER 0.2 TO .12
MICROFINISH	PREFERRED <input type="checkbox"/>	OVER 1.2 TO 4.0	OVER 4.0 TO 80.0
		±.004	±.008
		±.012	±.016
		±.025	±.04
		±.04	±.063
		±.04	±.08
		±.04	±.08
THIRD ANGLE PROJECTION	DRN <i>[Signature]</i>	FIRST USED ON	LA134 digital
REMOVE BURRS AND BREAK SHARP CORNERS	CHK'D <i>[Signature]</i> 11/19/78	TITLE	CABLE KEYBOARD ASSY
DO NOT SCALE DWG	PROJ. ENG. <i>[Signature]</i>		
	PROD. <i>[Signature]</i> 10/19/78		
MATERIAL	D-AD-7015514-0-0	SIZE	CODE
FINISH	SEE PARTS LIST	C	IA
	SCALE	NUMBER	7015741-0-0
	SHEET 1 OF 1	DIST.	

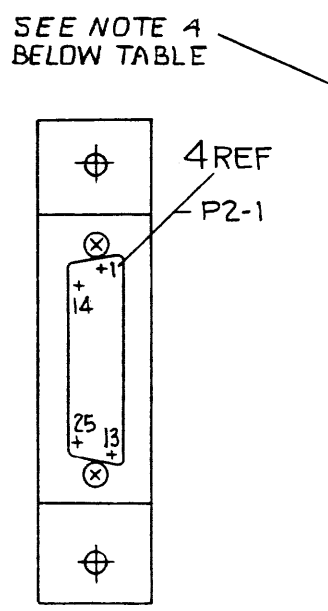
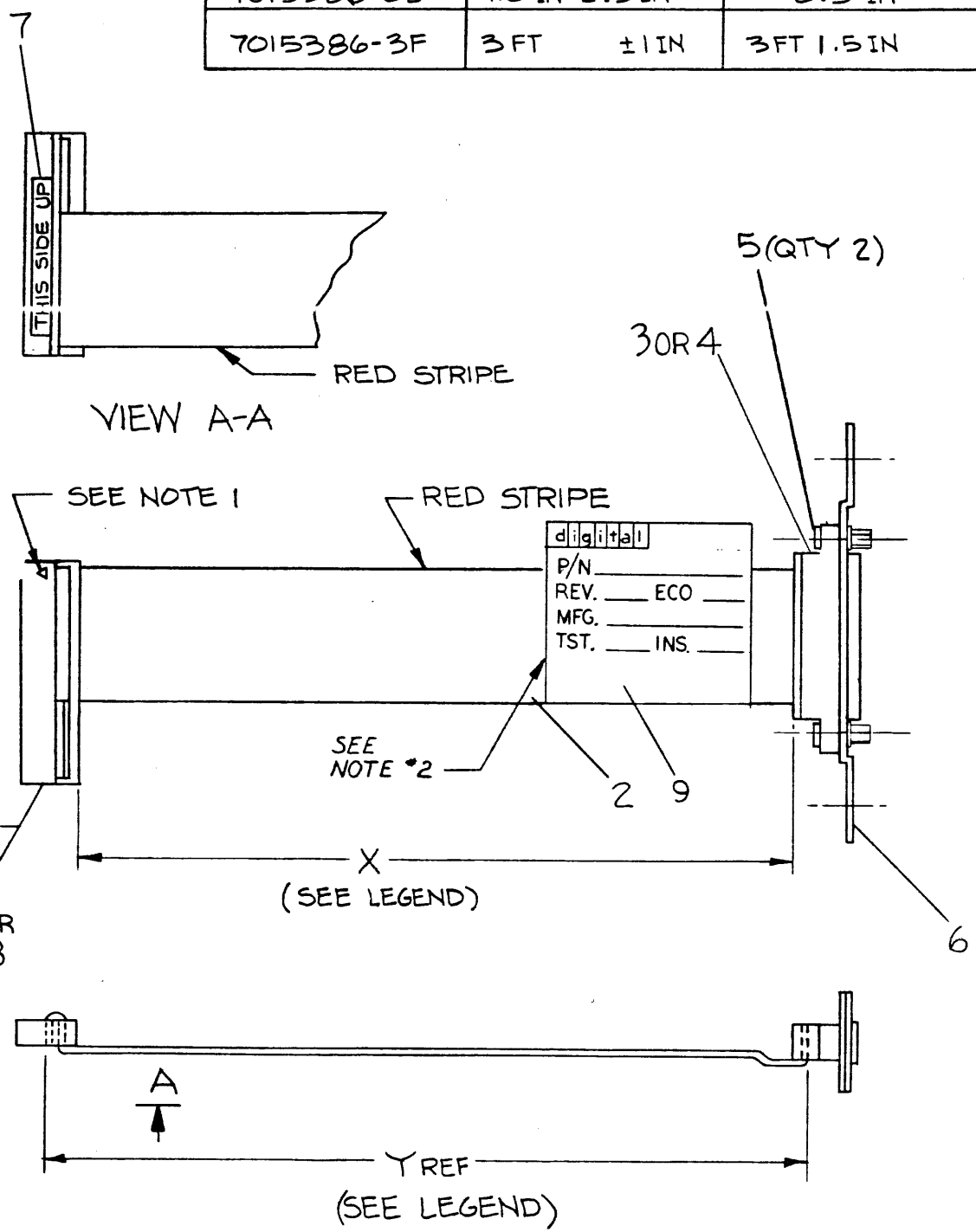
REV. NUMBER 7015741-0-0

"THIS DRAWING AND SPECIFICATIONS, HEREIN, ARE THE PROPERTY OF DIGITAL EQUIPMENT CORPORATION AND SHALL NOT BE REPRODUCED OR COPIED OR USED IN WHOLE OR IN PART AS THE BASIS FOR THE MANUFACTURE OR SALE OF ITEMS WITHOUT WRITTEN PERMISSION. COPYRIGHT © 1978 DIGITAL EQUIPMENT CORPORATION"

LEGEND

NUMBER	DIM X VARIATION	DIM Y (PRECUT) REF	USED ON	REMARKS
7015386-0J	7.0 IN ±.5 IN	8.5 IN	LA120	AS SHOWN
7015386-3F	3 FT ±1 IN	3 FT 1.5 IN	LA34	SEE NOTE #3

- NOTES:
- ARROW OR INDEX MARK ON ITEM #1 INDICATES CONTACT POSITION #1.
 - EITHER OF TWO METHODS OF CABLE IDENTIFICATION ARE ACCEPTABLE: I.D. LABEL, P/N 3616073-00 (FOLDED IN HALF AROUND CABLE) OR RUBBER STAMP. LABEL OR STAMP SHALL CONTAIN THE FOLLOWING; DEC PART NO., REV, AND DATE CODE.
 - FOR THE -3F VARIATION WHEN USED ON THE LA34 FAMILY PRINTERS REMOVE PINS 13, 14, 16, 18, 21 AND 25 FROM P2 BEFORE CABLE IS ASSEMBLED.



P2 PIN DESIGNATION	SIGNAL NAME	PIN DESIGNATION	EIA CIRCUIT NAME	C.C.I.T.T EQUIVALENT	C.C.I.T.T SIGNAL NAME (REF)
1	PROTECTIVE GND	1	AA	101	PROTECTIVE GND
2	TXD. EIA. L	3	BA	103	TRANSMIT DATA
3	RXD. EIA. L	5	BB	104	RECEIVE DATA
4	RTS. EIA. H	7	CA	105	REQUEST TO SEND
5	CTS. EIA. H	9	CB	106	CLEAR TO SEND
6	DSR. EIA. H	11	CC	107	DATA SET READY
7	SIG. GND SAFETY	13	AB	102	SIG. GND. COMMON RETURN
20	DTR. EIA. H	14	CD	108.2	DATA TERMINAL READY
8	CD. EIA. H	15	CF	109	RECEIVED LINE SIG. DETECTOR
22	RI. EIA. H	18	CE	125	RING INDICATOR

4. CONVERSION TABLE ABOVE IS FOR LA34 ONLY.

REV.	CHANGE NO.	BY	DATE
A	LA34 - PNO01	P NELSON	24 JULY 78
B	LA120 - PN 027	P NELSON	27 SEPT 78
C	LA120 - PNO41	R O'CONNELL	6 NOV 78
D	LA34 - PNO38	J. BITTO	3 OCT 79
E	LA34 - PNO58	J. BITTO	14 JAN 80
F	LA120 - PNI28	J. BITTO	7 FEB 80
H	7015386-PNO01	J. BITTO	17 MAR 81

SEE K-PL-7015386-0-DBP

DESCRIPTION	DWG./PART NO.	ITEM NO.
UNLESS OTHERWISE SPECIFIED DIMENSIONS ARE IN INCHES		
ANGLES ±0° 30'	CLASS OF ACCURACY (CHECK ONE)	NOMINAL DIMENSION RANGE INCHES
SURFACE QUALITY IN	MEDIUM	OVER 0 TO 0.2 ±.004
	PREFERRED	OVER 0.2 TO 0.7 ±.006
MICROINCHES		OVER 0.7 TO 1.2 ±.012
		OVER 1.2 TO 4.0 ±.016
		OVER 4.0 TO 12.0 ±.024
		OVER 12.0 TO 40.0 ±.04
		OVER 40.0 TO 80.0 ±.08
QUANTITY & VARIATION		
THIRD ANGLE PROJECTION	DRN: [Signature] 13 JAN 78	FIRST USED ON
REMOVE BURRS AND BREAK SHARP CORNERS	CHK'D: [Signature] 18 APR 78	LA120 digital
DO NOT SCALE DWG	ENG: [Signature] 21 APR 78	TITLE
MATERIAL SEE PARTS LIST	PROJ. ENG: [Signature] 22 APR 78	EIA CABLE ASSEMBLY
FINISH	PROD: [Signature] 1 MAY 78	SIZE CODE C IA
		NUMBER 7015386-0-0
		REV. H

MANUFACTURE P-1085

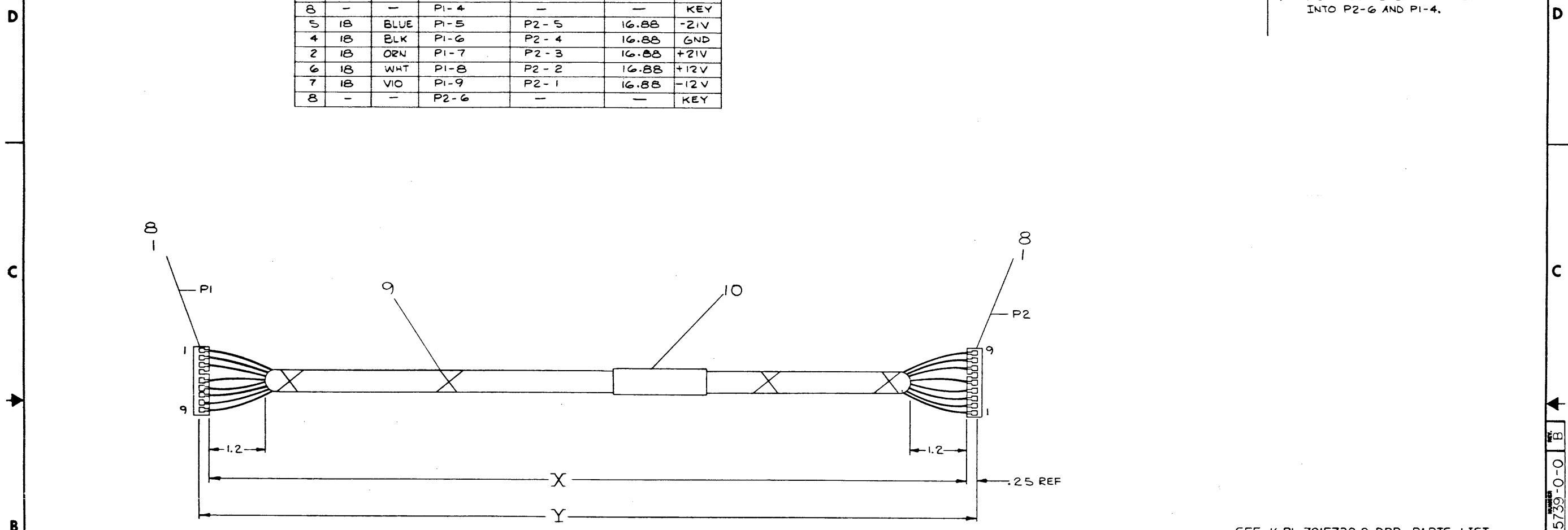
REV. H
NUMBER 7015386-0-0
SIZE CODE CIA

"THIS DRAWING AND SPECIFICATIONS, HEREIN, ARE THE PROPERTY OF DIGITAL EQUIPMENT CORPORATION AND SHALL NOT BE REPRODUCED OR COPIED OR USED IN WHOLE OR IN PART AS THE BASIS FOR THE MANUFACTURE OR SALE OF ITEMS WITHOUT WRITTEN PERMISSION.
COPYRIGHT © 1975, DIGITAL EQUIPMENT CORPORATION"

WIRE TABLE						
ITEM NO.	DESCRIPTION	FROM	TO	LENGTH	SIGNAL	
4	18 BLK	P1-1	P2-9	16.88	GND	
4	18 BLK	P1-2	P2-8	16.88	GND	
3	18 RED	P1-3	P2-7	16.88	+5V	
8	-	P1-4	-	-	KEY	
5	18 BLUE	P1-5	P2-5	16.88	-21V	
4	18 BLK	P1-6	P2-4	16.88	GND	
2	18 ORN	P1-7	P2-3	16.88	+21V	
6	18 WHT	P1-8	P2-2	16.88	+12V	
7	18 VIO	P1-9	P2-1	16.88	-12V	
8	-	P2-6	-	-	KEY	

LEGEND		
NUMBER	DIM X VARIATION	DIM Y (PRECUT) REF
7015739-1E	16.38 IN. ± 1.0 IN	16.88 IN

- NOTES:
- USE CABLE TIES (X) ITEM 9 APPROXIMATELY EVERY FOUR (4) INCHES.
 - NO STRIPPING OR TINNING REQUIRED.
 - KEY PLUG ITEM #8 TO BE INSERTED INTO P2-6 AND P1-4.



SEE K-PL-7015739-0-DBP, PARTS LIST

DESCRIPTION	DWG/PART NO.	ITEM NO.
1 LABEL, ADHESIVE	3616073-00	1
AR TIE, CABLE	9010190-00	9
2 KEY PLUG	1215588-00	8
AR WIRE, 18 AWG VIOLET STRD	9107360-77	7
AR WIRE, 18 AWG WHITE STRD	9107360-99	6
AR WIRE, 18 AWG BLUE STRD	9107360-66	5
AR WIRE, 18 AWG BLACK STRD	9107360-00	4
AR WIRE, 18 AWG RED STRD	9107360-22	3
AR WIRE, 18 AWG ORANGE STRD	9107360-33	2
2 HOUSING, PLUG (9 PIN)	1215306-00	1

UNLESS OTHERWISE SPECIFIED DIMENSIONS ARE IN INCHES	
ANGLES	CLASS OF ACCURACY
30° 30'	OVER 0 TO 1.2
	1.2 TO 4.0
	4.0 TO 12.0
	12.0 TO 40.0
	40.0 TO 80.0
	80.0 TO 100.0
SURFACE QUALITY	MEDIUM
FINISH	PREFERRED

THIRD ANGLE PROJECTION

REMOVE BURRS AND BREAK SHARP CORNERS

DO NOT SCALE DWG

MATERIAL SEE PARTS LIST

FINISH

DRN: DEANIT 2/18/77

CHK'D: [Signature] 7/5/77

ENG: [Signature] 4/1/77

PROJ. ENG: [Signature] 4/1/77

PROD: [Signature] 3/1/77

NEXT HIGHER ASSY.

E-AD-7015729-0-0

SCALE NONE

SHEET 1 OF 1

FIRST USED ON LA34

TITLE CABLE ASSY. LOGIC / POWER

SIZE D

CODE TA

NUMBER 7015739-0-0

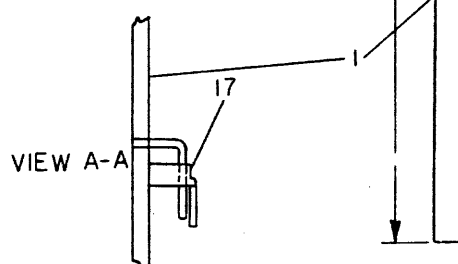
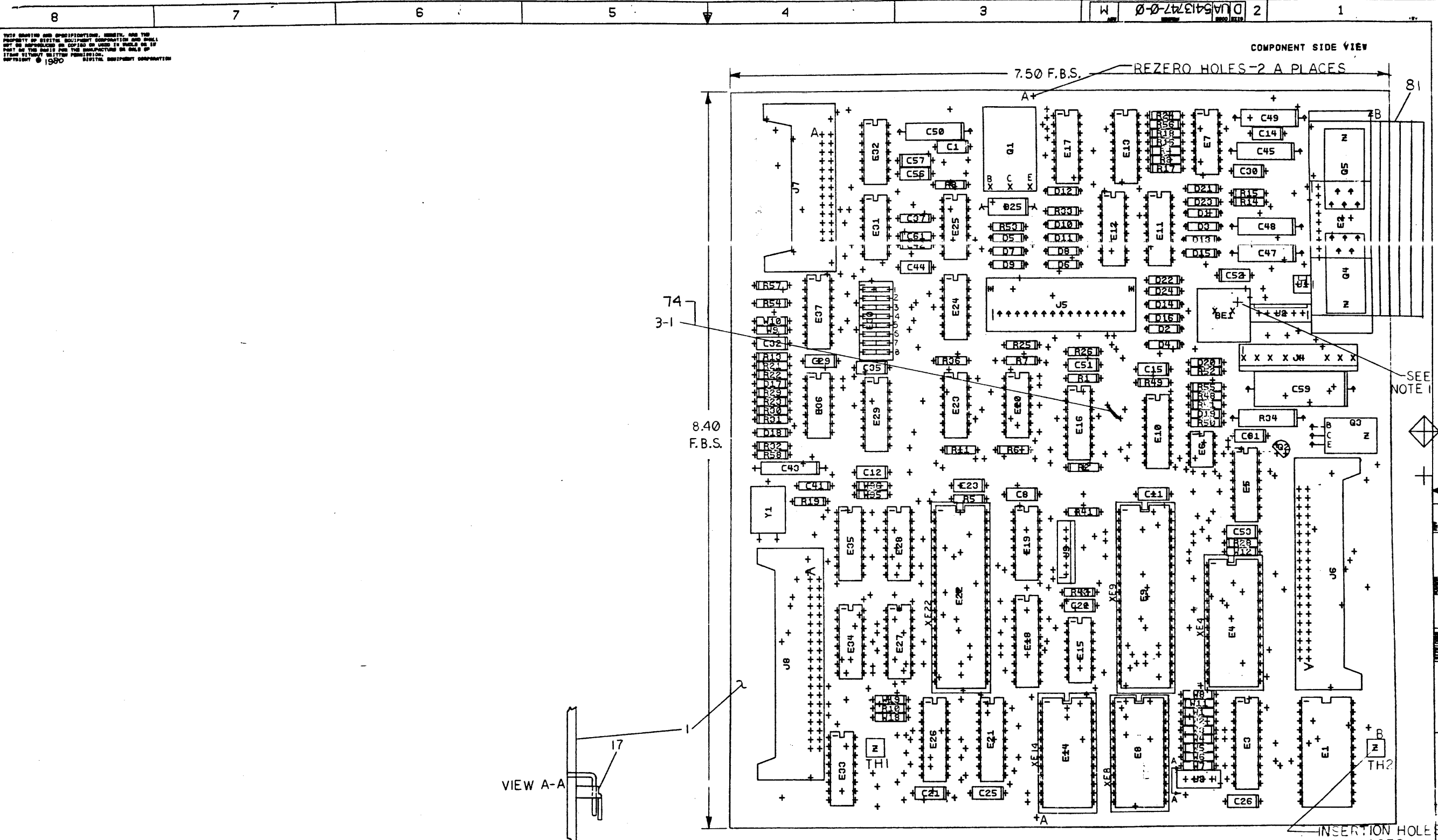
REV. B

REV.	CHANGE NO.	BY	DATE
1	7015739-0-001	A	
2	7015739-0-002	B	

7015739-0-0

A

THIS DRAWING AND SPECIFICATIONS, WHETHER AND THE PROPERTY OF THE EQUIPMENT MANUFACTURER AND SHALL NOT BE REPRODUCED OR COPIED IN WHOLE OR IN PART OR FOR ANY PURPOSES WITHOUT THE WRITTEN PERMISSION OF THE EQUIPMENT MANUFACTURER.



NOTES: LONG LEAD OF BE1 IS ON PLUS (+) SIDE.
2. DO NOT INSTALL C6, E8, XE8, Q4, Q5, W2, 4, 5, 7, 8, & W10.

STEP 1	→ Y AXIS NO. 5	STEP - TIMES
REPORT	→ X AXIS NO. 5	STEP - TIMES

CHK	CHANGE NO	REV	DATE	BY
2.2	5413747-PN001	E		J. BITTO
2.2	5413747-PN001	F		J. BITTO
2.2	5413747-PN001	G		J. BITTO
2.2	5413747-PN001	H		J. BITTO
2.2	5413747-PN001	I		J. BITTO
2.2	5413747-PN001	J		J. BITTO
2.2	5413747-PN001	K		J. BITTO
2.2	5413747-PN001	L		J. BITTO
2.2	5413747-PN001	M		J. BITTO
2.2	5413747-PN001	N		J. BITTO

ETCH REV. E

SIGNATURES		DATE
DRN. J. L. Smith		11/11/71
CHK'D. J. L. Smith		11/11/71
MECH. ENG. J. L. Smith		11/11/71
PROJ. ENG. J. L. Smith		11/11/71
PROD. J. L. Smith		11/11/71
SCALE 2:1		SIZE CODE NUMBER
SHT. 1 OF 2		0 UA 5413747-0-0
NEXT HIGHER ASSY. B-DD-5413747-0		REV M

digital

TITLE LA34 CONTROL BOARD

REV M

PN 1 MS# 160866

"THIS DRAWING AND SPECIFICATIONS HEREIN ARE THE PROPERTY OF DIGITAL EQUIPMENT CORPORATION AND SHALL NOT BE REPRODUCED OR COPIED OR USED IN WHOLE OR IN PART AS THE BASIS FOR THE MANUFACTURE OR SALE OF ITEMS WITHOUT WRITTEN PERMISSION. COPYRIGHT © DIGITAL EQUIPMENT CORPORATION"

REWORK INSTRUCTIONS

ECO # 3

WIRE ADD SIDE ONE

1. AFTER BOARD HAS BEEN BUILT AND TESTED, TWO ETCHES MUST BE CUT AND A JUMPER WIRE (9105740-55) ADDED TO THE BOARD. ON SIDE ONE CUT THE ETCH AT E10 PINS 2 AND 3. ADD A JUMPER WIRE BETWEEN THE TWO FEED THROUGH HOLES IN THE ETCH RUNS FROM E10 PINS 2 AND 3.

REVISIONS		
CHK	CHANGE NO.	REV.

TITLE	LA34 CONTROL BOARD	SIZE/CODE	DUA	NUMBER	5413747-0-0	REV.	M
SCALE	2/1	SHEET	2	OF	2	DIST.	

LINE	ITEM	DOCUMENT NUMBER	PART NUMBER	DESCRIPTION	QTY PER VARIATION				REFERENCE DESIGNATOR
					00	99	01	02	
1	1	D-10-5013746-0-0	5013746-00	DRILL&ETCH BOARD	1	1	1	1	
2	2		1001610-00	.01 MFD 50V +80-20% 250 CER	1	1	1	1	C32
3	3		1005636-00	22 MFD 6V 10% S.TANT	1	1	1	1	C43
4	4		1012084-01	8 MFD 25V +75-10% AL EL	5	5	5	5	C45,C47-C49,C50
5	5		1012219-00	47 MFD 30V +75-10% AL EL	1	1	1	1	C59
6	6		1012784-00	.047 MFD 50V +80-20% CER	21	21	21	21	C1,C8,C11,C12,C14,C15,C21-C23, CONT C25,C26,C29,C30,C31,C35,C44, CONT C51-C53,C56,C57
7	7		1013466-12	2200.0 MMF 50V 10% YTP CER	1	1	1	1	C42
8	8		1013466-18	330.0 MMF 50V 5% CER	1	1	1	1	C37
9	9		1013466-31	15.0 MMF 50V 5% CER	1	1	1	1	C41
10	10		1101938-00	1N 4370A VZ= 2.4 5% .40W	1	1	1	1	D18
11	11		1105275-00	D 672 TR= 15NS PIV= 60V SI	7	7	7	7	D17,D19-D24
12	12		1105796-00	1N 4004 PIV=400 I= 1A D041 SP	16	16	16	16	D1-D16
13	13		1110854-00	1N 5353B VZ= 16.0V 5% .40W M	1	1	1	1	D25
14	14		1209941-02	HEADER 100 40POS RT ANGLE	2	2	2	2	J6,J8
15	15		1209941-09	HEADER 26POS RT ANGLE RCPT	1	1	1	1	J7
16	16		1211164-04	SW,DIP 1P 1A 8POS	1	1	1	1	E30
17	17		1215921-00	CONN, 4PIN WAFER,RIGHT ANG	1	1	1	1	J3
18	18		1215006-06	SKT,IC 24PIN DIP TIN PLATEE	1	1	1	1	XE14
19	19		1215006-08	SKT,IC 40PIN DIP TIN PLATEE	2	2	2	2	XE22,XE9
20	20		1215323-00	CONN, 6POS POLARIZING & LO	2	2	2	2	J9,J2
21	21		1215323-02	CONN, 2POS POLARIZING & LO	1	1	1	1	J1
22	22		1215324-00	CONN 15POS GOLD PLATED	1	1	1	1	J5
23	23		1215635-01	TRANSDUCER,MINATURE AUDIO FOR LA	1	1	1	1	BE1
24	24		1215699-00	HEADER 9POS STRAIGHT	1	1	1	1	J4
25	25		1300005-07	R NETWORK 15-4.7K 5.0 % 16PIN	1	1	1	1	F29
26	26		1300247-00	120.0 .25 W 5.0 % CC	1	1	1	1	R31
27	27		1300295-00	330.0 .25 W 5.0 % CC	8	8	8	8	R5,R14,R15,R28,R49,R54-R56
28	28		1300365-00	1.0 K .25 W 5.0 % CC	7	7	7	7	R13,R19,R29,R36,R40,R41,R53

REVISION HISTORY		BASIC PART NO: 5413747		DRW:	DAVID DROZD	DATE:	21-MAR-80	D I G I T A L			
ENG	ECD NUMBER	REV	SECTION A OF B	CHK'D:	TONY SHEWTRASKI	DATE:	21-MAR-80	TITLE PARTS LIST			
---	INITIAL	D	SECTION VARIATION INDEX	DES.ENG:	DON DODSON	DATE:	21-MAR-80	DOCUMENT NUMBER			
1JB	15413747-PN001	F	[A] 00,99,01,02	MFG.ENG.:	JOHN MCSHANE	DATE:	21-MAR-80	SIZE	CODE	NUMBER	REV
1JB	15413747-PN002	F	[B] 03	ASSEMBLY NUMBER:		TOP DOCUMENT NUMBER:		K	PL	5413747-0-DRP	M
1JB	15413747-PN003	H	[C]								
1JB	15413747-PN004	J	[D]								
1JB	15413747-PN005	K	[E]								
1JB	15413747-PN006	L	[F]								
1JB	15413747-PN007	M	[H]								
			[J]								
			[K]								
			[L]								
			[M]								
			[N]								
				D-UA=5413747-0-0						13747M,PLS	7

"THIS DRAWING AND SPECIFICATIONS HEREIN, ARE THE PROPERTY OF DIGITAL EQUIPMENT CORPORATION AND SHALL NOT BE REPRODUCED OR COPIED OR USED IN WHOLE OR IN PART AS THE BASIS FOR THE MANUFACTURE OR SALE OF ITEMS WITHOUT WRITTEN PERMISSION. COPYRIGHT (C) 1981, DIGITAL EQUIPMENT CORPORATION"

LINE	ITEM	DOCUMENT NUMBER	PART NUMBER	DESCRIPTION	QTY PER VARIATION				REFERENCE DESIGNATOR
					00	99	01	02	
29	29		1300417-00	2.20 K .25 W 5.0 % CC	1	1	1	1	R33
30	30		1300439-00	3.30 K .25 W 5.0 % CC	1	1	1	1	R50
31	31		1300479-00	10.0 K .25 W 5.0 % CC	7	7	7	7	R6=R8,R10,R11,R21,R22
32	32		1300488-00	12.0 K .25 W 5.0 % CC	1	1	1	1	R32
33	33		1301423-00	6.80 K .25 W 5.0 % CC	11	11	11	11	R1=R4,R16=R18,R24=R26,R30
34	34		1301890-00	560.0 .25 W 5.0 % CC	1	1	1	1	R48
35	35		1302388-00	2.0 K .25 W 5.0 % CC	1	1	1	1	R51
36	36		1302466-00	100.0 K .25 W 5.0 % CC	2	2	2	2	R23,R58
37	37		1302602-00	56.0 .25 W 5.0 % CC	1	1	1	1	R52
38	38		1312452-00	3.74 K .25 W 1.0 % RN55D=F10	1	1	1	1	R57
39	39		1315676-00	300.0 3.0 W 5.0 % WW 9	1	1	1	1	R34
40	40		1510706-00	XA 55 PNP 500MW SI 60 50 P	1	1	1	1	Q2
41	41		1514509-00	TIP 125 PNP 65W SI 60 500 BA	1	1	1	1	Q3
42	42		1515370-00	TIP146 PNP DARLINGTON-CONNECTED	1	1	1	1	Q1
43	43		1812396-03	XTAL 4.000 MHZ	1	1	1	1	Y1
44	44		1910322-00	DEC 1488L DRIVER,LINE,QUAD,EI	1	1	1	1	E32
45	45		1910406-00	75451 DRIVER,PERIPH,DUAL,	1	1	1	1	E6
46	46		1910741-00	7406 INVERTER GATE-HEX 1I	1	1	1	1	E7
47	47		1912108-00	339 VOLT CMPRTR,QUAD	1	1	1	1	E36
48	48		1912697-00	LS174 FF-D HEX W/CLEAR	1	1	1	1	E34
49	49		1912799-00	LS00 NAND-GATE-QUAD 2IN,P	1	1	1	1	E15
50	50		1912805-00	LS08 AND GATE-QUAD 2IN,PO	1	1	1	1	E25
51	51		1912807-00	LS10 NAND GATE-TRIPLE 3IN	1	1	1	1	E23
52	52		1912816-00	LS32 OR GATE-QUAD 2IN,POS	1	1	1	1	E20
53	53		1912824-00	LS74 FF-D DUAL,EDGE TRIGG	1	1	1	1	E24
54	54		1912842-00	LS138 DECODER-THREE INPUT,	1	1	1	1	E35
55	55		1912843-00	LS139 DECODER, 2 OF 4(DUAL)	1	1	1	1	E19
56	56		1912846-00	LS155 DECODER,2 OF 4(DUAL)	1	1	1	1	E33
57	57		1912863-00	LS273 FF-D OCTAL W/CLEAR	1	1	1	1	E18
58	58		1913130-00	DEC 1489A RECEIVER,LINE,QUAD,	1	1	1	1	E31
59	59		1913471-00	LS367 DRIVER,BUS,HEX,TRI-	3	3	3	3	E10,E28,E27
60	60		1913777-00	LS240 DRIVER,LINE,OCTAL,T	1	1	1	1	E3
61	61		1913950-00	LS156 DECODER,2 OF 4(DUAL)	1	1	1	1	E5
62	62		1914072-00	74159 DECODER-4 TO 16 UPD	1	1	1	1	E1
63	63		1914560-00	LS368 DRIVER,BUS,HEX,TRI-	3	3	3	3	E13,E16,E37
64	64		1915261-00	DEC 2841B DRIVER,1.5A QUAD	3	3	3	3	E11,E12,E17
65	65		1915636-00	*** THIS ITEM IS NOT USED ***	-	-	-	-	
66	66		2113107-01	P 8251A PUSART COMM. INTERFA	1	1	1	1	E4
67	67		2113954-00	DC 305 INTERFACE CHIP NT	1	1	1	1	E9
68	68		2114212-01	P 2114 RAM,1024X4,STATIC 18	2	2	2	2	E21,E26
69	69		2114963-00	UP,8-BIT NMOS GL	1	1	1	1	E22
70	70	SEE NOTE 1	23021E4-00	E4-01,E4-02,E4-03	1	-	-	-	E14
71	71		9009185-00	JUMPER, WIRE, INSULATED, BLACK B	10	10	10	10	W1,W3,W6,W9,W11,W12,W18,W19,W95, CONT W96
72	72		1215006-07	SKT,IC 28PIN DIP TIN PLATEE	1	1	1	1	XE4
73	73	SEE NOTE 2	23030E4-00	E4-01,E4-03	-	-	1	-	E14
74	74		9105740-55	WIRE(WRAP)30AWG UL1423	A/R	A/R	A/R	A/R	
75	75	SEE NOTE 3	23034E4-00	E4-01,E4-02,E4-03	-	-	-	1	E14

D I G I T A L				TITLE	SECTION A OF B				SIZE	CODE	DOCUMENT NUMBER	REV
				54-13747 BOARD					K	PL	5413747-0-DBP	M

LINE ITEM	DOCUMENT NUMBER	PART NUMBER	DESCRIPTION	QTY PER VARIATION				REFERENCE DESIGNATOR	
				00	99	01	02		
76	76	SEE NOTE 4	23033E4-00	*** THIS ITEM IS NOT USED ***	-	-	-	-	
77	77		1916002-00	DRIVER, MOTOR CONT	2	2	2	2	Q4,Q5
78	78		9006023-01	SCREW,PAN,PHIL 6-32X 7/16 SS	2	2	2	2	
79	79		9008185-00	NUT,KFP , 6-32X1/4 AF	2	2	2	2	
80	80		9008268-00	COMPOUND, THERMAL JOINT	A/R	A/R	A/R	A/R	
81	81		7424745-00	HEAT SINK, H DRIVERS	1	1	1	1	

- 82 NOTE: 1. PT#23021E4-00 CAN HAVE A 01 OR AN 03 VARIATION.
- 83 NOTE: 2. PT#23030E4-00 CAN HAVE A 00 THRU 03 VARIATION.
- 84 NOTE: 3. PT#23034E4-00 CAN HAVE A 00 THRU 03 VARIATION.
- 85 NOTE: 4. PT#23033E4-00 CAN HAVE A 00 THRU 03 VARIATION.

D	I	G	I	T	A	L	TITLE	54-13747 BOARD	SECTION A OF B	SIZE	CODE	DOCUMENT NUMBER	REV
										K	PL	5413747-0-DBP	M

LINE	ITEM	DOCUMENT NUMBER	PART NUMBER	DESCRIPTION	QTY	REF	VARIATION	REFERENCE DESIGNATOR
1	1	D-MD-5013746-0-0	5013746-00	DPILL&ETCH BOARD	1			
2	2		1001610-00	.01 MFD 50V +80-20% 25U CER	1			C32
3	3		1005636-00	22 MFD 6V 10% S.TANT	1			C43
4	4		1012084-01	8 MFD 25V +75-10% AL EL	5			C45,C47-C49,C50
5	5		1012219-00	47 MFD 30V +75-10% AL EL	1			C59
6	6		1012784-00	.047 MFD 50V +80-20% CER	21			C1,C8,C11,C12,C14,C15,C21-C23, C25,C26,C29,C30,C31,C35,C44, C51-C53,C56,C57
7	7		1013466-12	2200.0 MMF 50V 10% X7R CER	1			C42
8	8		1013466-18	330.0 MMF 50V 5% CER	1			C37
9	9		1013466-31	15.0 MMF 50V 5% CER	1			C41
10	10		1101938-00	1N 4370A VZ= 2.4 5% .40W	1			D18
11	11		1105275-00	D 672 TR= 15NS PIV= 60V SI	7			D17,D19-D24
12	12		1105796-00	1N 4004 PIV=400 I= 1A D041 SP	16			D1-D16
13	13		1110854-00	1N 5353B VZ= 16.0V 5% .40W M	1			D25
14	14		1209941-02	HEADER 100 40POS RT ANGLE	2			J6,J8
15	15		1209941-09	HEADER 26POS RT ANGLE RCPT	1			J7
16	16		1211164-04	SW,DIP 1P 1A 8POS	1			E30
17	17		1215921-00	CONN, 4PIN WAFER,RIGHT ANG	1			J3
18	18		1215006-06	SKT,IC 24PIN DIP TIN PLATEE	1			XE14
19	19		1215006-08	SKT,IC 40PIN DIP TIN PLATEE	2			XE22,XE9
20	20		1215323-00	CONN, 6POS POLARIZING & LO	2			J9,J2
21	21		1215323-02	CONN, 2POS POLARIZING & LO	1			J1
22	22		1215324-00	CONN 15POS GOLD PLATED	1			J5
23	23		1215635-01	TRANSDUCER,MINATURE AUDIO FOR LA	1			EE1
24	24		1215699-00	HEADER 9POS STRAIGHT	1			J4
25	25		1300005-07	R NETWORK 15-4.7K 5.0% 16PIN	1			E29
26	26		1300247-00	120.0 .25 W 5.0% CC	1			R31
27	27		1300295-00	330.0 .25 W 5.0% CC	8			R5,R14,R15,R28,R49,R54-R56
28	28		1300365-00	1.0 K .25 W 5.0% CC	7			R13,R19,R29,R30,R40,R41,R53

REVISION HISTORY		BASIC PART NO: 5413747		DRN:	DAVID DROZD	DATE:	21-MAR-80	D I G I T A L			
ENG	ECD NUMBER	REV	SECTION B OF B	CHK'D:	TONY SHEWTRASKI	DATE:	21-MAR-80	TITLE			
	INITIAL	D	SECTION, VARIATION INDEX					PARTS LIST			
1JB	15413747-PN001	E	[A] 00,99,01,02					54-13747 BOARD			
1JB	15413747-PN002	F	[B] 03								
1JB	15413747-PN003	H	[C]	DES.ENG:	DON DODSON	DATE:	21-MAR-80				
1JB	15413747-PN004	J	[D]								
1JB	15413747-PN005	K	[E]								
1JB	15413747-PN006	L	[F]	RESP.ENG.:	DON DODSON	DATE:	21-MAR-80	DOCUMENT NUMBER			
1JB	15413747-PN007	M	[H]					SIZE:	CODE:	NUMBER	REV
			[J]								
			[K]	MFG.ENG.:	JOHN MCSHANE	DATE:	21-MAR-80	K	PL	5413747-0-DBP	M
			[L]								
			[M]	ASSEMBLY NUMBER:		TOP DOCUMENT NUMBER:		FILE NAME:		EDIT #	
			[N]	D-DA-5413747-0-0				13747M,PLS		7	

"THIS DRAWING AND SPECIFICATIONS HEREIN, ARE THE PROPERTY OF DIGITAL EQUIPMENT CORPORATION AND SHALL NOT BE REPRODUCED OR COPIED OR USED IN WHOLE OR IN PART AS THE BASIS FOR THE MANUFACTURE OR SALE OF ITEMS WITHOUT WRITTEN PERMISSION. COPYRIGHT (C) 1981, DIGITAL EQUIPMENT CORPORATION"

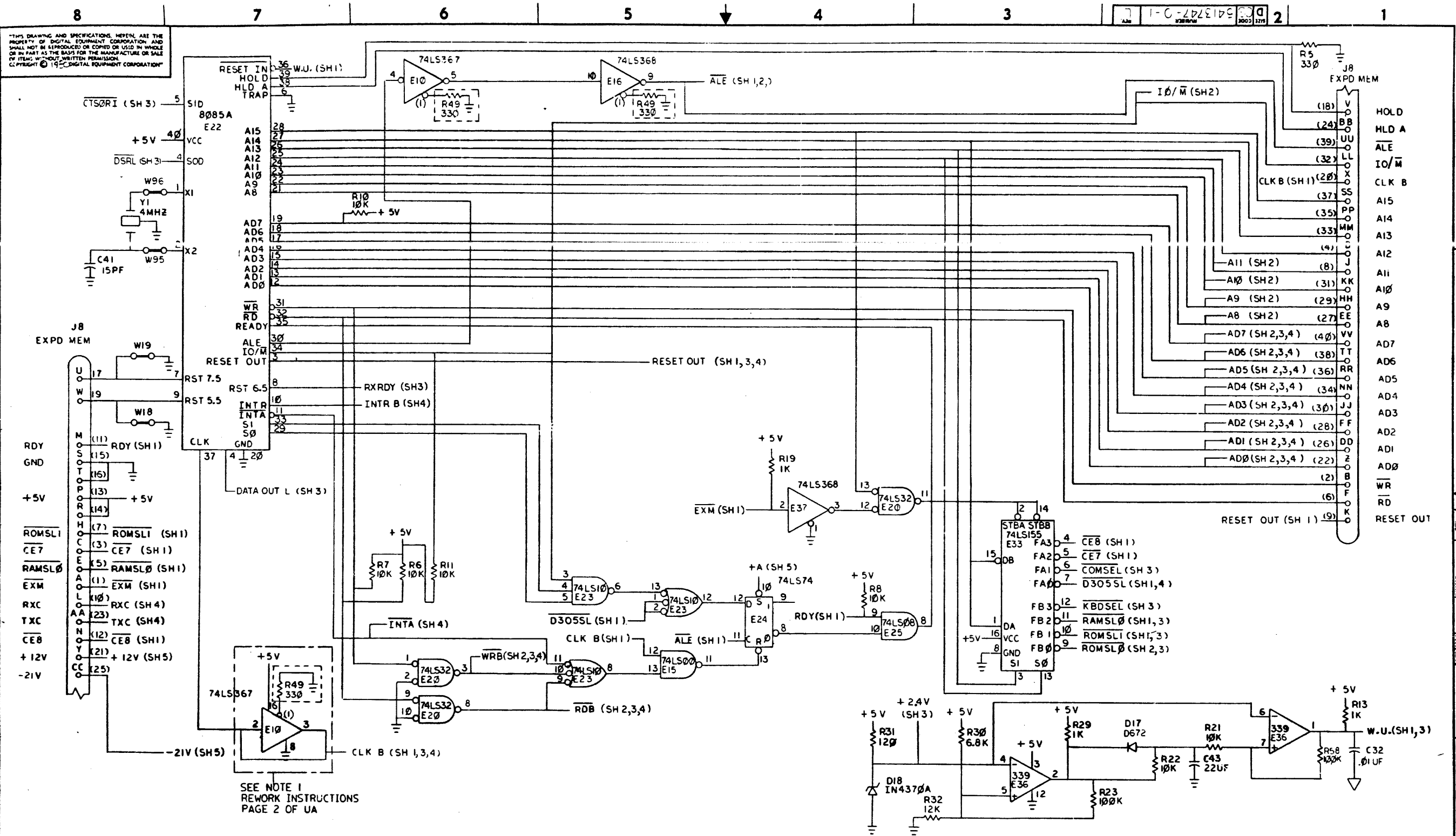
LINE	ITEM	DOCUMENT NUMBER	PART NUMBER	DESCRIPTION	QTY	PER VARIATION	REFERENCE DESIGNATOR
					03		
29	29		1300417-00	2.20 K .25 W 5.0 % CC	1		R33
30	30		1300439-00	3.30 K .25 W 5.0 % CC	1		R50
31	31		1300479-00	10.0 K .25 W 5.0 % CC	7		R6=R8,R10,R11,R21,R22
32	32		1300488-00	12.0 K .25 W 5.0 % CC	1		R32
33	33		1301423-00	6.80 K .25 W 5.0 % CC	11		R1=R4,R16=R18,R24=R26,R30
34	34		1301890-00	560.0 .25 W 5.0 % CC	1		R48
35	35		1302388-00	2.0 K .25 W 5.0 % CC	1		R51
36	36		1302466-00	100.0 K .25 W 5.0 % CC	2		R23,R58
37	37		1302602-00	56.0 .25 W 5.0 % CC	1		R52
38	38		1312452-00	3.74 K .25 W 1.0 % RN550-F10	1		R57
39	39		1315676-00	300.0 3.0 W 5.0 % WW 9	1		R34
40	40		1510706-00	XA 55 PNP 500MW SI 60 50 P	1		Q2
41	41		1514509-00	TIP 125 PNP 65W SI 60 500 BA	1		Q3
42	42		1515370-00	TIP146 PNP DARLINGTON-CONNECTED	1		O1
43	43		1812396-03	XTAL 4,000 MHZ	1		Y1
44	44		1910322-00	DEC 1488L DRIVER,LINE,QUAD,EI	1		E32
45	45		1910406-00	75451 DRIVER,PERIPH,DUAL,	1		E6
46	46		1910741-00	7406 INVERTER GATE-HEX 11	1		E7
47	47		1912108-00	339 VOLT CMPRTR,QUAD	1		E36
48	48		1912697-00	LS174 FF-D HEX W/CLEAR	1		E34
49	49		1912799-00	LS00 NAND-GATE-QUAD 2IN,P	1		E15
50	50		1912805-00	LS08 AND GATE-QUAD 2IN,PO	1		E25
51	51		1912807-00	LS10 NAND GATE-TRIPLE 3IN	1		E23
52	52		1912816-00	LS32 OR GATE-QUAD 2IN,POS	1		E20
53	53		1912824-00	LS74 FF-D DUAL,EDGE TRIGG	1		E24
54	54		1912842-00	LS138 DECODER-THREE INPUT,	1		E35
55	55		1912843-00	LS139 DECODER, 2 OF 4(DUAL	1		E19
56	56		1912846-00	LS155 DECODER,2 OF 4(DUAL)	1		E33
57	57		1912863-00	LS273 FF-D OCTAL W/CLEAR	1		E18
58	58		1913130-00	DEC 1489A RECEIVER,LINE,QUAD,	1		F31
59	59		1913471-00	LS367 DRIVER,BUS,HEX,TRI-	3		E10,E28,E27
60	60		1913777-00	LS240 DRIVER,LINE,OCTAL,T	1		E3
61	61		1913950-00	LS156 DECODER,2 OF 4(DUAL)	1		E5
62	62		1914072-00	74159 DECODER-4 TO 16 OPN	1		E1
63	63		1914560-00	LS368 DRIVER,BUS,HEX,TRI-	3		E13,E16,E37
64	64		1915261-00	DEC 2841B DRIVER,1.5A QUAD	3		E11,E12,E17
65	65		1915636-00	*** THIS ITEM IS NOT USED ***	-		
66	66		2113107-01	P 8251A PUSART COMM. INTERFA	1		E4
67	67		2113954-00	DC 305 INTERFACE CHIP NT	1		E9
68	68		2114212-01	P 2114 RAM,1024X4,STATIC 18	2		E21,E26
69	69		2114963-00	UP,8-BIT NMOS GL	1		E22
70	70	SEE NOTE 1	23021E4-00	*** THIS ITEM IS NOT USED ***	-		
71	71		9009185-00	JUMPER, WIRE, INSULATED, BLACK B	10		W1,W3,W6,W9,W11,W12,W18,W19,W95,
						CONT	W96
72	72		1215006-07	SKT,IC 28PIN DIP TIN PLATEE	1		XE4
73	73	SEE NOTE 2	23030E4-00	*** THIS ITEM IS NOT USED ***	-		
74	74		9105740-55	WIRE(WRAP)30AWG UL1423	A/R		
75	75	SEE NOTE 3	23034E4-00	*** THIS ITEM IS NOT USED ***	-		

D	I	G	I	T	A	I	TITLE	SECTION B OF B	SIZE	CODE	DOCUMENT NUMBER	REV
							54-13747 BOARD		K	PL	5413747-0-DBP	M

LINE ITEM	DOCUMENT NUMBER	PART NUMBER	DESCRIPTION	QTY PER VARIATION 03	REFERENCE DESIGNATOR
76	76	SEE NOTE 4			
		23033E4-00	E4-01,E4-02,E4-03	1	E14
77	77	1916002-00	DRIVER, MOTOR CONT	RD 2	04,05
78	78	9006023-01	SCREW,PAN,PHIL 6-32X 7/16 SS	2	
79	79	9008185-00	NUT,KEP , 6-32X1/4 AF	2	
80	80	9008268-00	COMPOUND, THERMAL JOINT	A/R	
81	81	7424745-00	HEAT SINK, H DRIVERS	1	

- 82 NOTE: 1. PT#23021E4-00 CAN HAVE A 01 OR AN 03 VARIATION.
 83 NOTE: 2. PT#23030E4-00 CAN HAVE A 00 THRU 03 VARIATION.
 84 NOTE: 3. PT#23034E4-00 CAN HAVE A 00 THRU 03 VARIATION.
 85 NOTE: 4. PT#23033E4-00 CAN HAVE A 00 THRU 03 VARIATION.

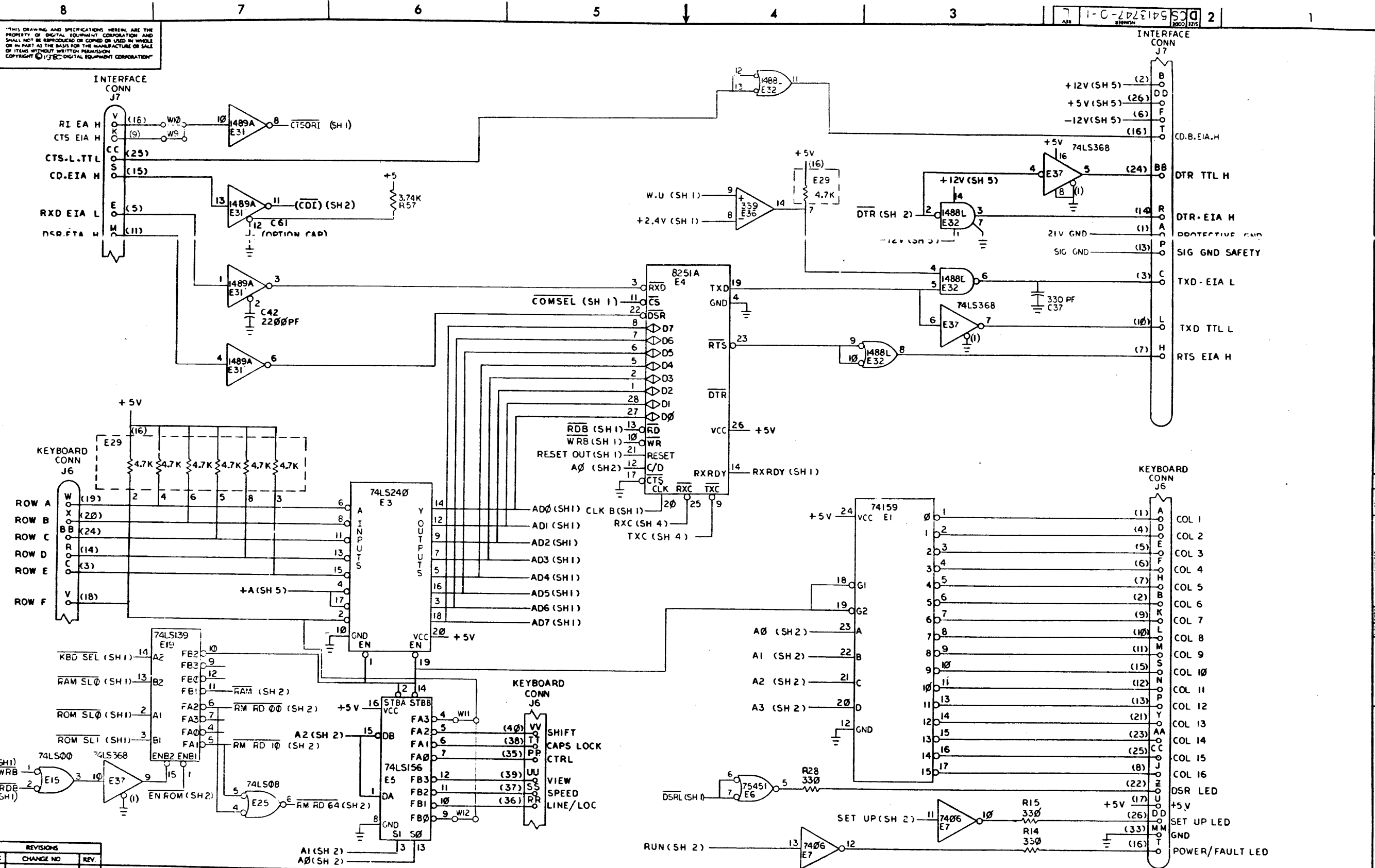
D	I	G	I	T	A	L	TITLE	54-13747 BOARD	SECTION B OF B	SIZE	CODE	DOCUMENT NUMBER	REV
										K	PL	5413747-0-DBP	M



REV.	DATE	BY	CHKD.	DESCRIPTION
1	11/17/77	J. BITTO		INITIAL DESIGN
2	12/1/77	J. BITTO		REVISED FOR BOARD LAYOUT
3	12/1/77	J. BITTO		REVISED FOR BOARD LAYOUT
4	12/1/77	J. BITTO		REVISED FOR BOARD LAYOUT
5	12/1/77	J. BITTO		REVISED FOR BOARD LAYOUT
6	12/1/77	J. BITTO		REVISED FOR BOARD LAYOUT
7	12/1/77	J. BITTO		REVISED FOR BOARD LAYOUT
8	12/1/77	J. BITTO		REVISED FOR BOARD LAYOUT

DRN. J. BITTO	5/11/78	FIRST USED ON	LA34	digital
CHKD. J. BITTO	6/1/78	TITLE	LA34	CONTROL BOARD
PROJ. ENG. J. BITTO		SCALE	D	CS 5413747-0-1
NEXT HIGHER ASSY.		SIZE	CODE	NUMBER
B-DD-5413747-0		SCALE	D	CS 5413747-0-1
SHEET 1	OF 5	DIST.		

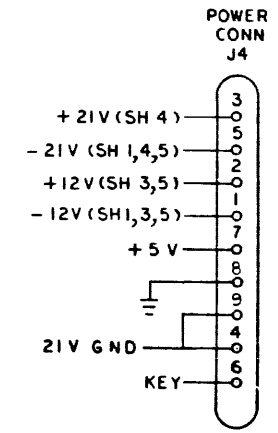
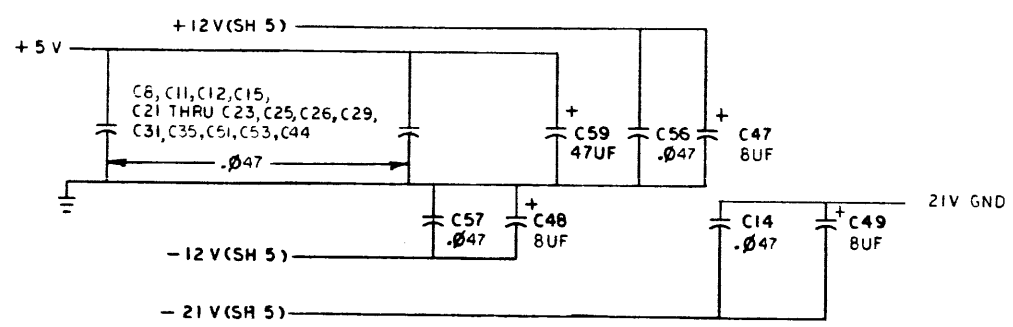
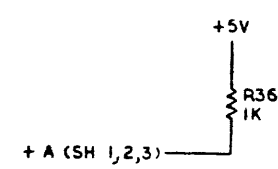
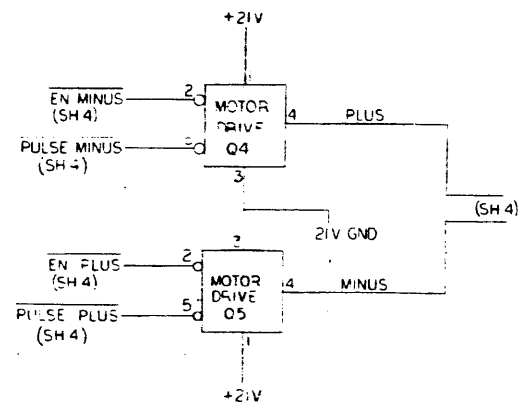
THIS DRAWING AND SPECIFICATIONS HEREIN ARE THE PROPERTY OF DIGITAL EQUIPMENT CORPORATION AND SHALL NOT BE REPRODUCED OR COPIED OR USED IN WHOLE OR IN PART AS THE BASIS FOR THE MANUFACTURE OR SALE OF ITEMS WITHOUT WRITTEN PERMISSION. COPYRIGHT © 1970 DIGITAL EQUIPMENT CORPORATION.



REV	CHANGE NO.	REV

TITLE	LA34 CONTROL BOARD	SIZE CODE	DCS	NUMBER	5413747-0-1	REV.	L
SCALE	1:1	SHEET	3	OF	5	DIST.	

THIS DRAWING AND SPECIFICATIONS HEREIN ARE THE PROPERTY OF DIGITAL EQUIPMENT CORPORATION AND SHALL NOT BE REPRODUCED OR COPIED OR USED IN WHOLE OR IN PART AS THE BASIS FOR THE MANUFACTURE OR SALE OF ITEMS WITHOUT WRITTEN PERMISSION. COPYRIGHT © 1971 DIGITAL EQUIPMENT CORPORATION



NOTE:
1. Q4 AND Q5 MAY BE USED IN PLACE OF E2

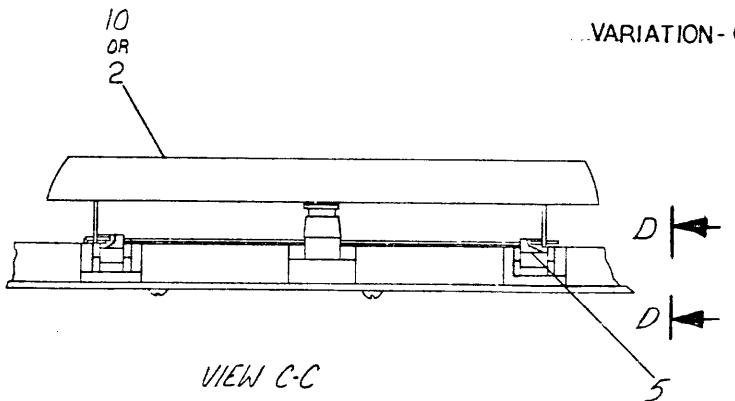
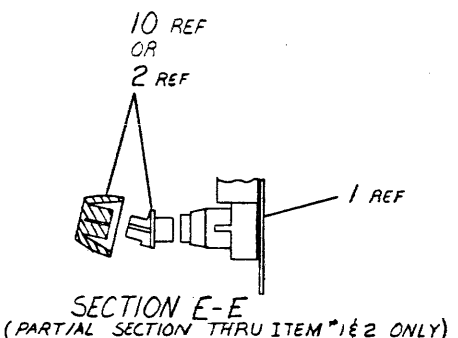
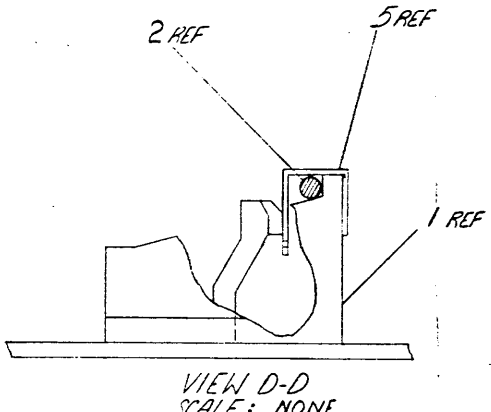
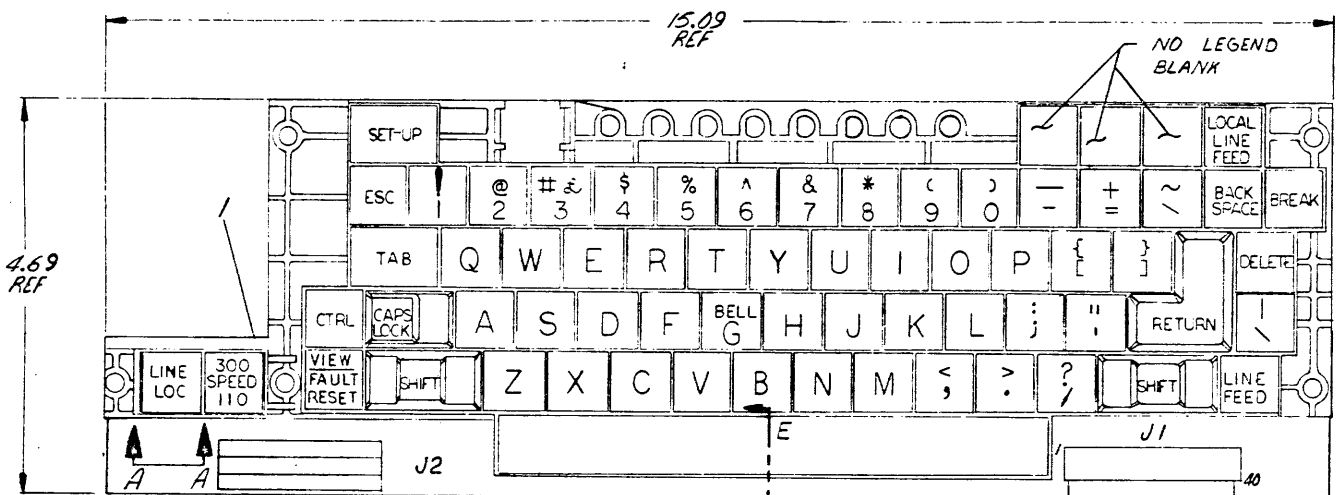
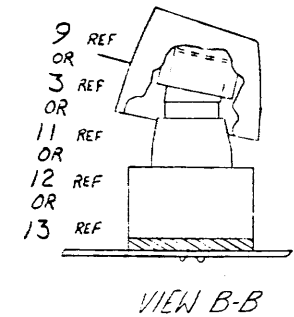
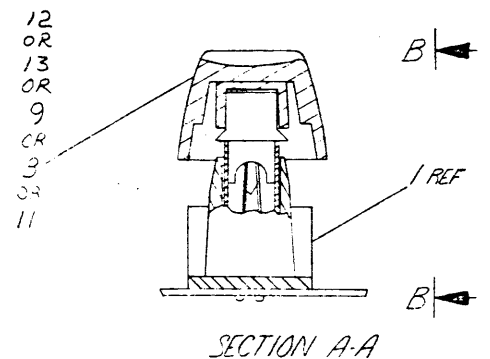
REVISIONS		
CHK	CHANGE NO.	REV.

THIS DRAWING AND SPECIFICATIONS, HEREIN, ARE THE PROPERTY OF DIGITAL EQUIPMENT CORPORATION AND SHALL NOT BE REPRODUCED OR TRANSMITTED IN ANY FORM OR BY ANY MEANS, ELECTRONIC OR MECHANICAL, INCLUDING PHOTOCOPYING, RECORDING, OR BY ANY INFORMATION STORAGE AND RETRIEVAL SYSTEM, WITHOUT PERMISSION IN WRITING FROM DIGITAL EQUIPMENT CORPORATION.

H 0-0-15514-0-2

LEGEND	
VARIATION	SHEET NO.
7015514-00 AND 01	SHEET NO. 1
7015514-02	SHEET NO. 2
7015514-03 AND 04	SHEET NO. 3

- NOTES:
- FOR 7015514-02 VARIATION CONFIGURATION SEE SHEET 2.
 - DRAWING AS SHOWN REPRESENTS A KEYBOARD KEYCAP ASSY. 7015514-00 AND 7015514-01 WHICH CONTAIN THE BASIC LET MAIN ARRAY 1214333-95 CHARACT. OR SPECIAL LET 214333-4B GREY.
 - FOR INDIVIDUAL FIELD SERVICE / CUSTOMER SPARES SHIPMENTS USE PACKAGING INSTRUCTION A-SP-3700456-0-0 VARIATION -10, FOR BULK INTERPLANT SHIPMENTS USE PACKAGING INSTRUCTION A-SP-3700439-0-0 VARIATION -00.



VARIATION - 00 AND 01

SEE K-PL-7015514-0-DBP

QTY	DESCRIPTION	PART NO.	ITEM NO.
1	CAP. KEY SET KANA KATA	A-PS-1214333-E-Z	11
1	SPACE BAR ASSY (GREY)	D-AD-7015514-0-1	10
1	CAPS KEY SET (GREY)	1214333-4B	9
REF	TEST SPECS	A-SP-7015514-0-2	8
REF	ENGINEERING SPECS	A-SP-7015514-0-1	7
1	KEYBOARD CABLE ASSY	C-1A-7015741-00-0	6
2	CLIP, EQUALIZER	C-MD-7420120-00-0	5
8	ADAPTER, KEY CAP	1214332-00	4
1	CARB. KEY SET (CHARACT)	1214333-95	3
1	SPACE BAR ASSY (CHAR)	D-AD-7015050-0-0	2
1	KEYBOARD MODULE ASSY	D-1A-5413281-0-0	1

UNLESS OTHERWISE SPECIFIED DIMENSIONS ARE IN INCHES

ANGLES 30°	CLASS OF ACCURACY (CHECK ONE)	NOMINAL DIMENSION RANGE INCHES				
		OVER 0 TO 0.2	OVER 0.2 TO 0.5	OVER 0.5 TO 1.0	OVER 1.0 TO 2.0	OVER 2.0 TO 50.0
	MEDIUM	±0.004	±0.008	±0.012	±0.018	±0.024
	PREFERRED	±0.012	±0.018	±0.025	±0.036	±0.048

THIRD ANGLE PROJECTION

REMOVE BURRS AND BREAK SHARP CORNERS

DO NOT SCALE DWG

MATERIAL: SEE PARTS LIST

FINISH: NONE

DRN: [Signature]

CHKD: [Signature]

ENG: [Signature]

PROD: [Signature]

NEXT HIGHER ASSY:

SIZE: D

SCALE: NONE

SHEET: 1 OF 3

FIRST USED ON: LABA

TITLE: KEYBOARD / KEYCAP ASSY.

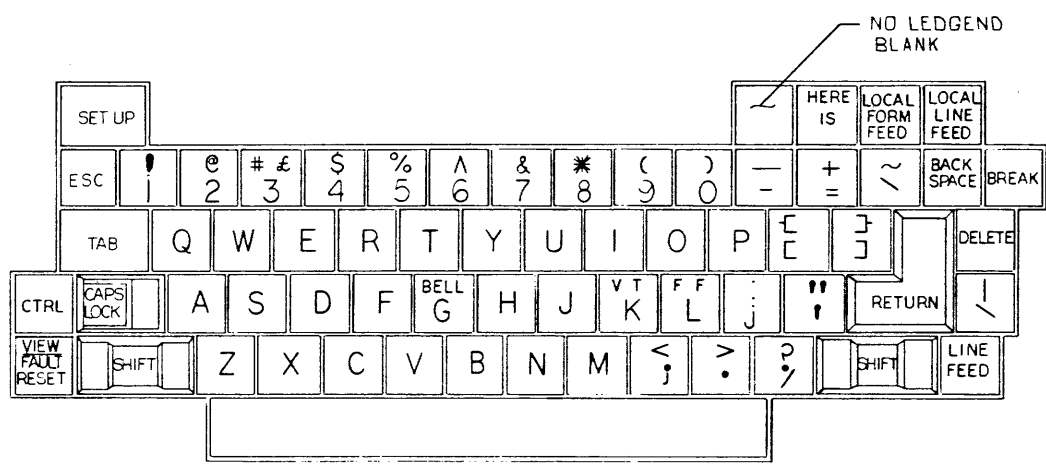
NUMBER: AD 7015514-0-2

REV.:

REV.	CHANGE NO.	DATE	BY	APP.
1	LA34-PN023 A	12/78	J. BITTO	
2	LA34-PN033 B	1/79	J. BITTO	
3	LA34-PN059 C	1/79	J. BITTO	
4	LA34-PN001 D	1/79	J. BITTO	
5	LA34-PN002 E	1/79	J. BITTO	
6	LA34-PN003 F	1/79	J. BITTO	
7	LA34-PN004 H	1/79	J. BITTO	
8	LA34-PN004 H	1/79	J. BITTO	

"THIS DRAWING AND SPECIFICATIONS, HEREIN, ARE THE PROPERTY OF DIGITAL EQUIPMENT CORPORATION AND SHALL NOT BE REPRODUCED OR COPIED OR USED IN WHOLE OR IN PART AS THE BASIS FOR THE MANUFACTURE OR SALE OF ITEMS WITHOUT WRITTEN PERMISSION. COPYRIGHT © 1982 DIGITAL EQUIPMENT CORPORATION"

NOTES:
 1 DRAWING AS SHOWN REPRESENTS A KEYBOARD KEYCAP ASSY. 7015514-03 AND 7015514-04 WHICH CONTAIN THE BASIC SET MAIN ARRAY 1219333-JS CHARCDAL OR SPECIAL SET 1219333-JT GRAY.



VARIATION -03 AND 04

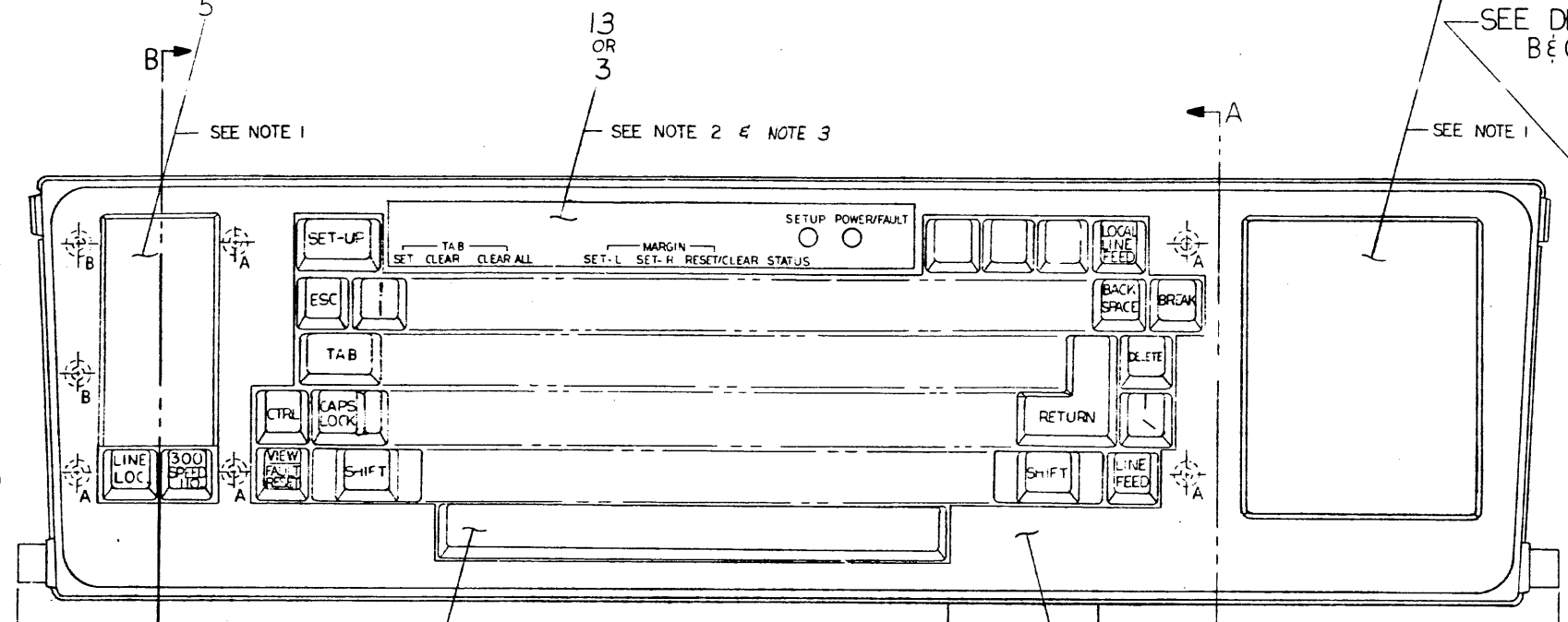
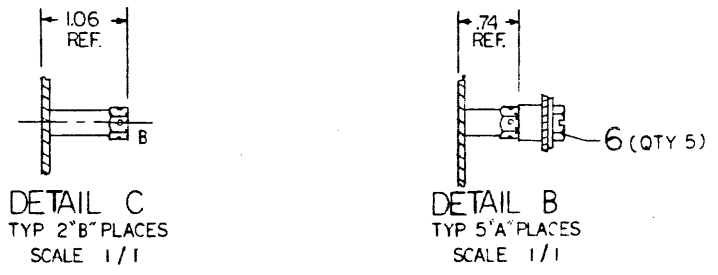
REVISIONS		
CHK	CHANGE NO.	REV.

TITLE	SIZE CODE	NUMBER	REV.
KEYBOARD/KEYCAP ASSY.	DAD	7015514-0-0	H
SCALE NONE	SHEET 3 OF 3	DIST.	

THIS DRAWING AND SPECIFICATIONS HEREAFTER ARE THE PROPERTY OF DIGITAL EQUIPMENT CORPORATION AND SHALL NOT BE REPRODUCED OR COPIED OR USED IN WHOLE OR IN PART AS THE BASIS FOR THE DESIGN OR CONSTRUCTION OF ANY ITEM WITHOUT WRITTEN PERMISSION OF DIGITAL EQUIPMENT CORPORATION © 1978

NOTES

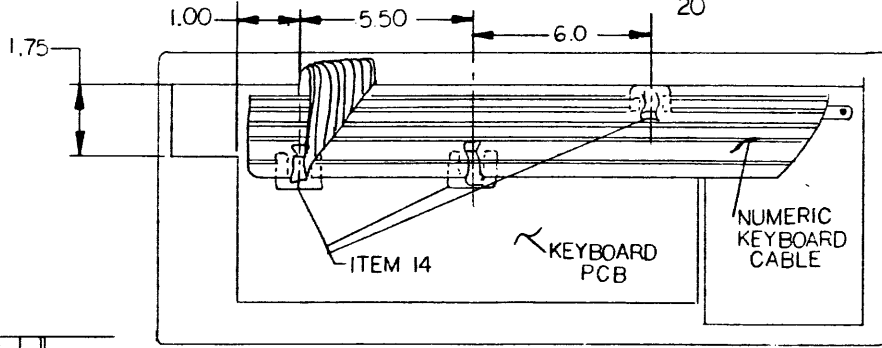
- 1. ITEM 2, 5, 10, 11, 15, 21 AND 7 ARE SNAPPED INTO PLACE.
- 2. FASTEN ITEM 3, 13 OR 16 TO ITEM 1, 9, OR 20 SUCH THAT NO BUBBLES, WAVINESS, RAISED EDGES OR OTHER INDICATIONS OF POOR ADHESION ARE EVIDENT.
- 3. KEYBOARD PICTURE SHOWN HERE IS -00, -01, -03 AND -06 VARIATION (-02 VARIATION IS KATA KANA).
- 4. FOR BULK INTERPLANT SHIPMENTS USE PACKAGING INSTRUCTIONS A-SP-3700430-0-0 VAR-00.



SECTION B-B

SEE K-PL-7015730-0-DBP

ITEM NO.	DESCRIPTION	DWG. PART NO.	ITEM NO.
1	NUMERIC KEY PAD	7016653-0-0	15
3	CLAMP, CABLE	9010016-00	14
1	LEGEND STRIP	3616927-00	13
1	KEYBOARD KEYCAP ASSY.	D-AD-7015514-02	12
1	PLUG, KEY SWITCH (GREY)	1215295-01	11
1	CLOSURE, OPTION (GREY)	1215053-01	10
1	BEZEL, KEYBOARD (GREY)	1215297-01	9
1	KEYBOARD ASSY. (GREY)	D-AD-7015514-01	8
REF	INSPECTION PROCEDURE	A-II-7015730-0-1	7
5	SCR. SLOTTED HEX WASHDR 632, 5/16"	9010097	6
1	PLUG, KEY SWITCH	1215295-00	5
1	KEYBOARD ASSY.	D-AD-7015514-0-0	4
1	LEGEND STRIP	3615450-00	3
1	CLOSURE, OPTION	1215053-00	2
1	BEZEL, KEYBOARD	1215297-00	1



REV.	CHANGE NO.	DESCRIPTION	DATE	BY	CHK'D
1	A	LA34-PN004	12/27/77	J. HARVEY	
2	B	LA34-PN026	1/12/78	J. DESUK	
3	C	LA34-PN032	2/2/78	J. DESUK	
4	D	LA34-PN036	2/2/78	P. E. NELSON	
5	E	LA34-PN063	2/2/78	J. HILTO	
6	F	7015730-PN001	3/22/78	J. BITTO	
7	G	7015730-PN002	3/22/78	J. BITTO	
8	H	7015730-PN002 H	3/22/78	J. BITTO	
9	I	7015730-PN003	4/14/78	J. BITTO	
10	J	7015730-PN003 J	4/14/78	J. BITTO	
11	K	7015730-PN003 K	4/14/78	J. BITTO	
12	L	7015730-PN003 L	4/14/78	J. BITTO	

THIRD ANGLE PROJECTION

REMOVE BURS AND BREAK SHARP CORNERS

DO NOT SCALE DWG

MATERIAL SEE PARTS LIST

FINISH

CLASS OF ACCURACY

CHECK (YES)

PRECISION

PRODUCTION

DRAWN BY [Signature]

CHK'D BY [Signature]

ENG. BY [Signature]

PROJ. ENGR. BY [Signature]

FIRST USED ON LA34

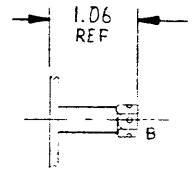
TITLE KEYBOARD BEZEL ASSY.

SIZE CODE D

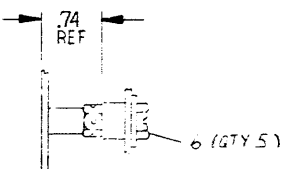
NUMBER AD 7015730-0-0

REV. J

THIS DRAWING AND SPECIFICATIONS, HEREIN ARE THE PROPERTY OF DIGITAL EQUIPMENT CORPORATION AND SHALL NOT BE REPRODUCED OR COPIED IN WHOLE OR IN PART AS THE BASIS FOR THE MANUFACTURE OR SALE OF ITEMS WITHOUT WRITTEN PERMISSION OF DIGITAL EQUIPMENT CORPORATION.



DETAIL C
TYP 2 'B' PLACES
SCALE 1/1



DETAIL B
TYP 5 'A' PLACES
SCALE 1/1

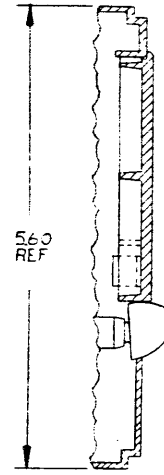
2
OR
10
OR
15

SEE NOTE 1
5
OR
11

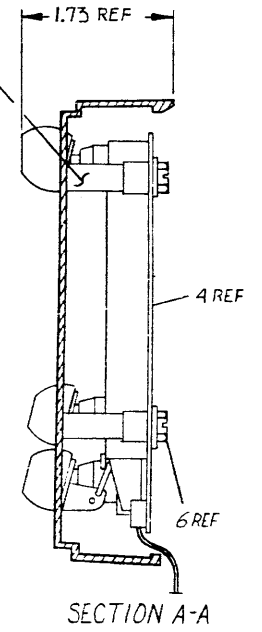
16
SEE NOTE 2

SEE DETAIL
B AND C

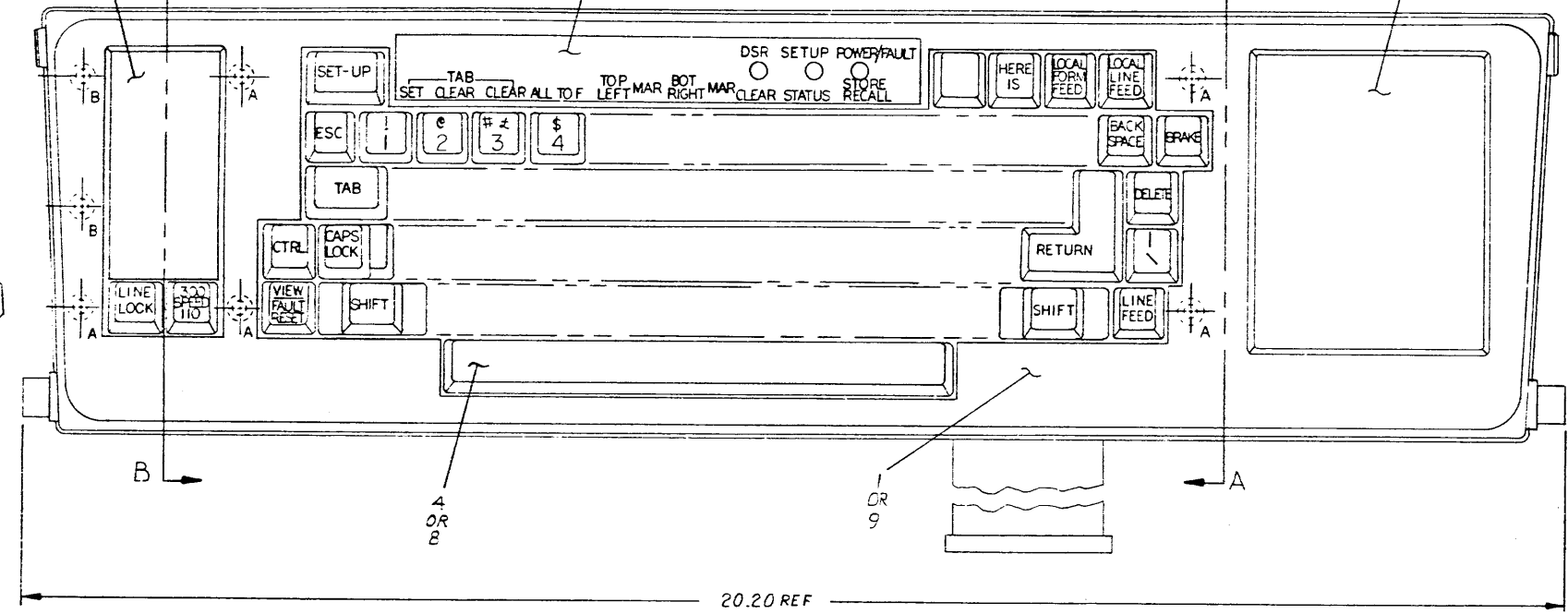
SEE NOTE 1



SECTION B-B



SECTION A-A



DRAWING AS SHOWN REPRESENTS
7015730-04, 05 AND 07 VARIATIONS

REVISIONS	NO.	DATE	BY	REASON
CHK	CHANGE NO.			

THIRD ANGLE PROJECTION	DESCRIPTION	DWG./PART NO.	ITEM NO.
	UNLESS OTHERWISE SPECIFIED DIMENSIONS ARE IN INCHES		
QUANTITY & VARIATION	ANGLES 30°/30°	CLASS OF ACCURACY	INDICATED DIMENSION RANGE INCHES
	SURFACE QUALITY IN	(CHECK ONE)	OVER 4.0 TO 12.0 OVER 12.0 TO 40.0 OVER 40.0 TO 80.0
MATERIAL	FINISH	PREferred	1.004 1.008 1.012 1.016 1.020 1.024 1.028
	DRN. JOSEPH 4-5-78	FIRST USED ON	LA34
REMOVE BURRS AND BREAK SHARP CORNERS	CHK'D HEALY 2-8-78	TITLE	
DO NOT SCALE DWG	ENG. HARVEY 9-8-78	KEYBOARD BEZEL ASSY.	
	PROJ. ENG. 10-17-78	SIZE	CODE
	PROD. ERDEKIAN 10-19-78	D	AD
	NEXT HIGHER ASSY.	NUMBER	REVISION
	D-AD-7015724-0-C	7015730-0-0	J
	SCALE NONE	SHEET	DIST.
	2 OF 2		

DRAWING NO.	NO. OF SHTS.	PART NO.	DESCRIPTION	REVISIONS												
D-UA-5414387-Ø-Ø	1		ROM EXPANDER	A	A											
K-PL-5414387-Ø-DBP			ROM EXPANDER	A	B											
D-CS-5414387-Ø-1	2		ROM EXPANDER	A	B											
K-PC-5414387-Ø-DBC			PC DESIGN DATA BASE	A	A											
		5Ø14387	ETCHED BOARD	A	A											
D-MD-5Ø14386-Ø-Ø	4		DRILL AND ETCH DRAWING	A	A											
D-EC-5Ø14386-Ø-Ø	2		ETCH CUT DRAWING	A	A											

NOTES:

REVISIONS		DATE	CHG NO.	ORIG.	REV.
		10/79			A
		8 80	PNO02		B

"THIS DRAWING AND SPECIFICATIONS, HEREIN, ARE THE PROPERTY OF DIGITAL EQUIPMENT CORPORATION AND SHALL NOT BE REPRODUCED OR COPIED OR USED IN WHOLE OR IN PART AS THE BASIS FOR THE MANUFACTURE OR SALE OF ITEMS WITHOUT WRITTEN PERMISSION.
 COPYRIGHT © 198Ø DIGITAL EQUIPMENT CORPORATION



USED ON OPTION/MODEL
LA34-JA

DRN *William Skinner* 10-9-79
 CHK'D *Francis...* 10 JAN 80
 ENG. *A. G. Jones* 10 JAN 80
 PROD *John...* 10 JAN 80

TITLE ROM EXPANDER
 SIZE **B** CODE **DD** NUMBER 5414387-Ø REV. **B**
 SHEET 1 OF 1

8

7

6

5

4

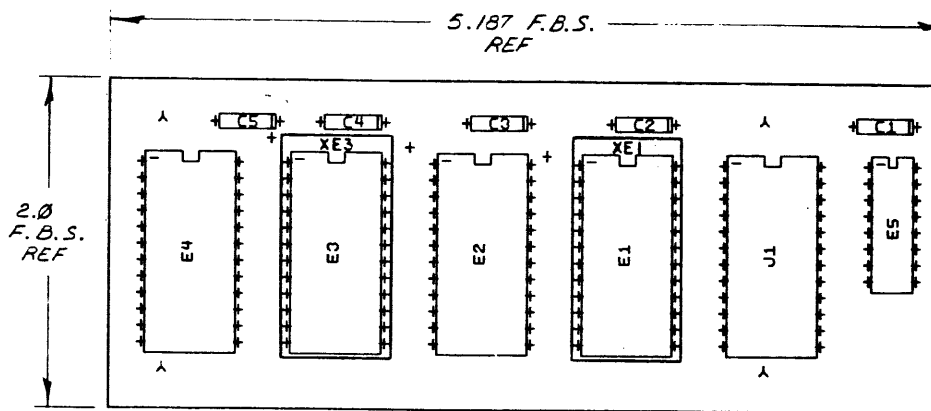
3

2 DUA 5414387-00 A

1

THIS DRAWING AND SPECIFICATIONS, HERETO, AND THE PROPERTY OF DIGITAL EQUIPMENT CORPORATION AND SHALL NOT BE REPRODUCED OR COPIED OR USED IN WHOLE OR IN PART OR THE BASIS FOR THE MANUFACTURE OR SALE OF ITEMS WITHOUT WRITTEN PERMISSION. COPYRIGHT © 1983 DIGITAL EQUIPMENT CORPORATION

COMPONENT SIDE VIEW



NOTES:

STEP E → Y AXIS 2.125 STEP 3 TIMES

REP'RT → X AXIS 5.250 STEP 1 TIMES

CHK CHANGE NO	REV	ORIGINATED
5414387-00	A	

ETCH REV. A P 2

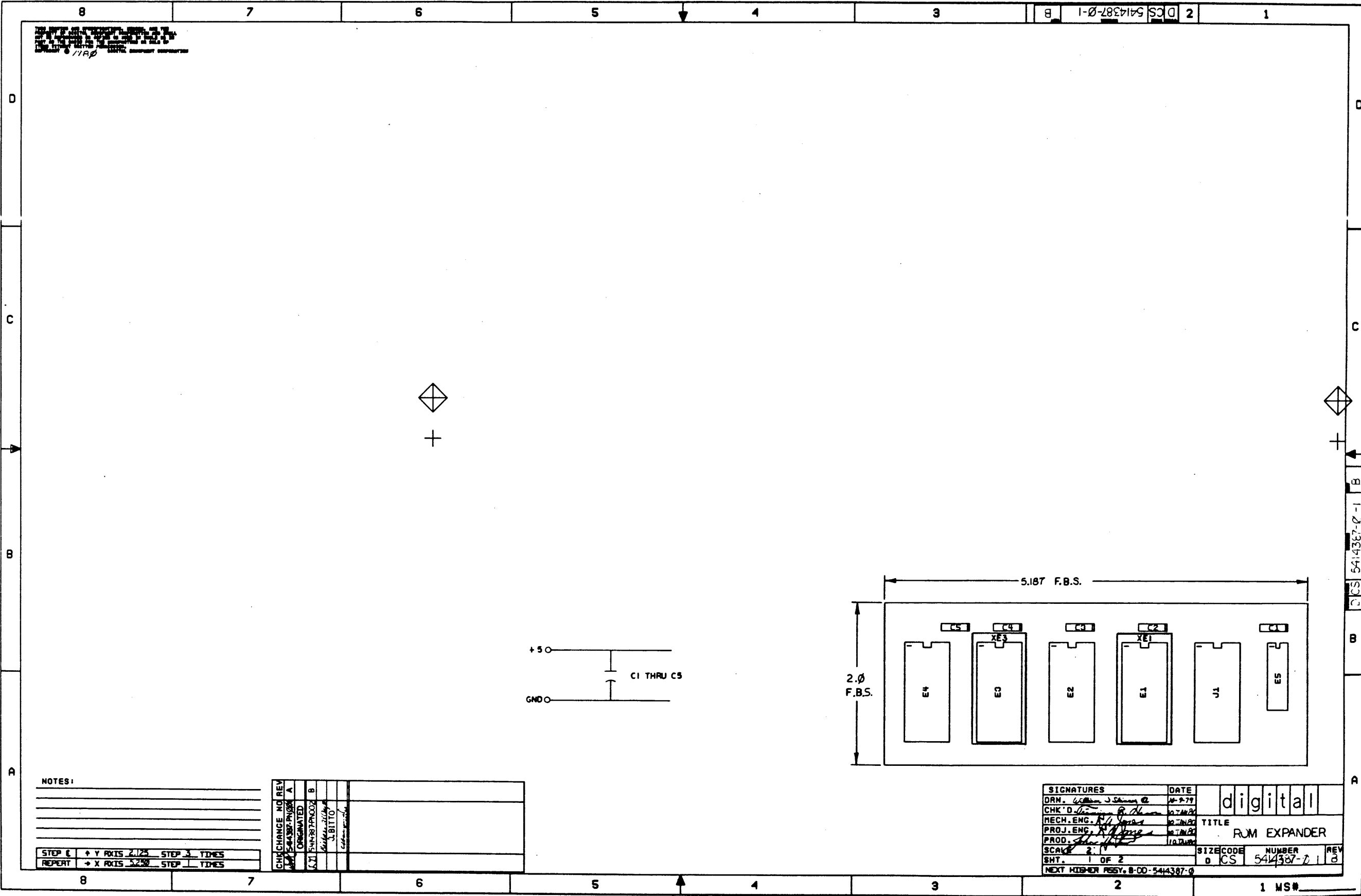
SIGNATURES		DATE	
DRN. [Signature]	[Signature]	2/27/80	digital
CHK'D. [Signature]	[Signature]	12/11/80	
MECH. ENG. [Signature]	[Signature]	10/29/80	TITLE
PROJ. ENG. [Signature]	[Signature]	12/21/80	ROM EXPANDER
PRD. [Signature]	[Signature]	12/21/80	
SCALE 2/1			SIZE CODE
SHT. 1 OF 1			NUMBER
NEXT HIGHER ASSY. 6-DD-5414387-00			REV

DUA 5414387-00 A

LINE ITEM	DOCUMENT NUMBER	PART NUMBER	DESCRIPTION	QTY PER VARIATION 00	REFERENCE DESIGNATOR
1		1215006-06	SOCKET 24PIN IC LOW PROFILE	3	J1,XE1,XE3
2		1001610-00	.01 MFD 50V +80-20% 25U CER	5	C1,C2,C3,C4,C5
3		1912843-00	LS139 DECODER, 2 OF 4(DUAL	1	E5
4		23233E2-00	E2-04	1	E1
5		23234E2-00	E2-04	1	E3
6	D-MD-5014386-0-0		ROM EXPANDER	1	

REVISION HISTORY		BASIC PART NO: 5414387		DRN:	F.R.LLANOS	DATE:	11-OCT-79	D I G I T A L			
ENG	ECO NUMBER	REV	SECTION A OF A	CHK'D:	L.GILBERT	DATE:	11-OCT-79	TITLE PARTS LIST			
	INITIAL	A	SECTION VARIATION INDEX					ROM EXPANDER			
JB	5414387-PN002	B	[A] 00					DOCUMENT NUMBER			
			[B]	DES.ENG:	R. A. JONES	DATE:	11-OCT-79	SIZE	CODE	NUMBER	REV
			[C]	RESP.ENG.:	R. A. JONES	DATE:	11-OCT-79	K	PL	5414387-0-0	B
			[D]	MFG.ENG.:	J.HOPKINS	DATE:		ASSEMBLY NUMBER: TOP DOCUMENT NUMBER: FILE NAME: EDIT #			
			[E]					D-UA-5414387-0-0 B-DD-5414387-0-0 14387B,PLS 7			
			[F]								
			[G]								
			[H]								
			[I]								
			[J]								
			[K]								
			[L]								
			[M]								
			[N]								

"THIS DRAWING AND SPECIFICATIONS HEREIN, ARE THE PROPERTY OF DIGITAL EQUIPMENT CORPORATION AND SHALL NOT BE REPRODUCED OR COPIED OR USED IN WHOLE OR IN PART AS THE BASIS FOR THE MANUFACTURE OR SALE OF ITEMS WITHOUT WRITTEN PERMISSION, COPYRIGHT (C) 1980, DIGITAL EQUIPMENT CORPORATION"



NOTES:

STEP 1 → Y AXIS 2.125 STEP 3 TIMES

REPEAT → X AXIS 3.250 STEP 1 TIMES

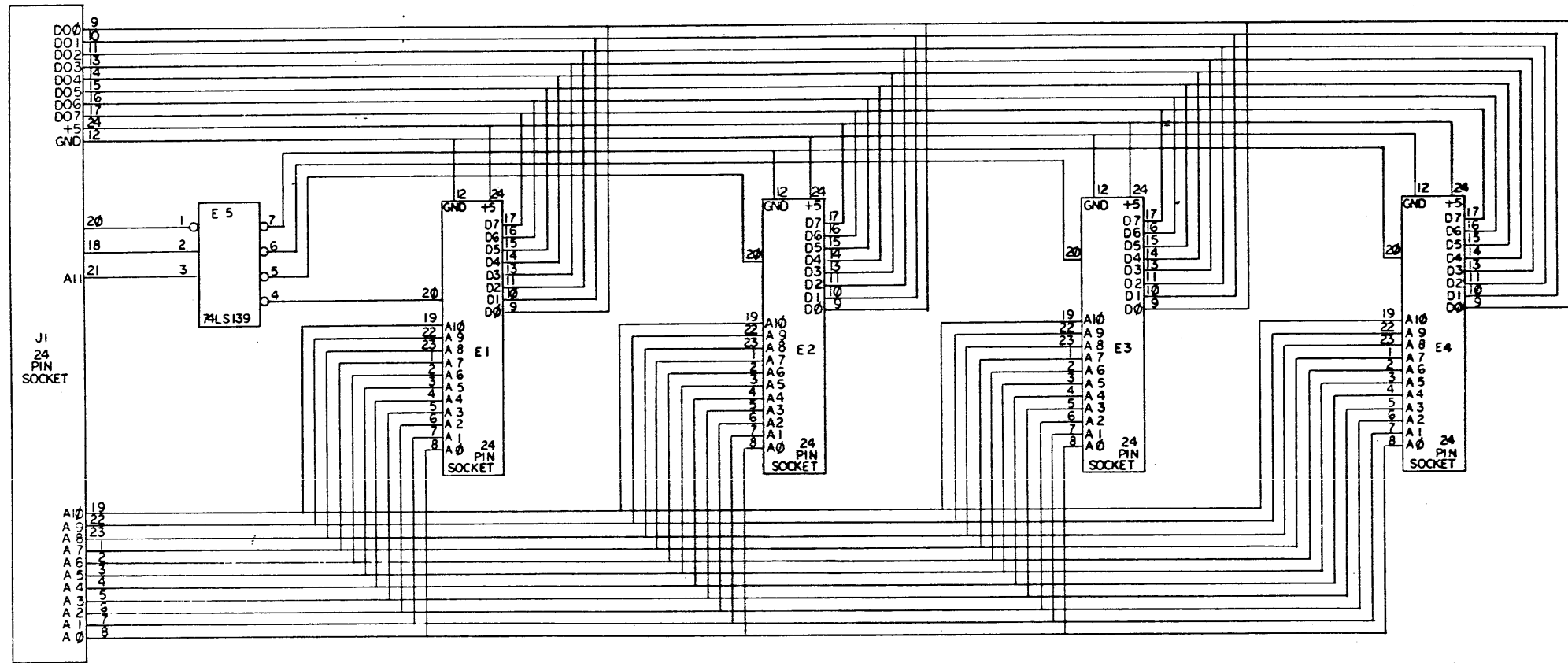
CHG	NO	REV	DATE	BY	APP
1	1	A			
2	1	B			
3	1	C			

SIGNATURES		DATE	digital	
DRN.	<i>William J. Simon</i>	11-2-79	TITLE	
CHK'D	<i>William J. Simon</i>	11-2-79	ROM EXPANDER	
MECH. ENG.	<i>William J. Simon</i>	11-2-79	SIZE	CODE
PROD.	<i>William J. Simon</i>	11-2-79	D	CS
SCALE	2		NUMBER	REV
SHT.	1 OF 2		544387-2	1
NEXT HIGH-ER PCESS. 8-00-544387-0				

D CS 544387-0-1 B

1 MS#

THIS DRAWING AND SPECIFICATIONS HEREIN ARE THE PROPERTY OF DIGITAL EQUIPMENT CORPORATION AND SHALL NOT BE REPRODUCED OR COPIED OR USED IN WHOLE OR IN PART AS THE BASIS FOR THE MANUFACTURE OR SALE OF ITEMS WITHOUT WRITTEN PERMISSION. COPYRIGHT © 1980 DIGITAL EQUIPMENT CORPORATION



REVISIONS		
CHK	CHANGE NO.	REV.

TITLE	ROM EXPANDER	SIZE CODE	DCS	NUMBER	5414387-0-1	REV.	B
SCALE	NONE	SHEET	2	OF	2	DIST.	

DCS 5414387-0-1

DIGITAL EQUIPMENT CORPORATION PARTS LIST

QUANTITY / VARIATION

NOTES:

1 POLY BAG MAY be replaced with shrink bag of equivalent size

MADE BY <i>L. Gilbert</i>	CHECKED <i>L. Gilbert</i>	SECTION <i>1</i>
DATE <i>14 May 80</i>	DATE <i>14 May 80</i>	
ENG <i>R. S. Bennett</i>	PROD <i>R. S. Bennett</i>	ISSUED SECTION <i>1</i>
DATE <i>23 MAY 80</i>	DATE <i>23 MAY 80</i>	

7017627-GA	7017627-DA	7017627-PA	7017627-JA	7017627-AA	7017627-PB										
------------	------------	------------	------------	------------	------------	--	--	--	--	--	--	--	--	--	--

ITEM NO.	DRAWING NO.	PART NO.	DESCRIPTION	7017627-GA	7017627-DA	7017627-PA	7017627-JA	7017627-AA	7017627-PB						
1		1700083-11	POWER CORD, TERM	1	1	1	1	1	1						
2		3612520-00	TAG, CAUTION	1	1	1	1	1	1						
3		3616153-01	LABEL, POWER REQUIREMENT 230 V	1	1	1	1	1	1						
4		3616157-00	LABEL CORRECT VOLTAGE SETTING	1	1	1	1	1	1						
5		9905129-33	BAG, POLYETHYLENE (SEE NOTE 1)	1	1	1	1	1	1						
6		EK-OLA34-UG	USERS MANUAL LA34	1	1	1	1	1	1						
7		3615514-00	RIBBON, CARTRIDGE LA00	1	1	1	1	1	1						
8		1700163-01	CABLE ASSY 6 COND	1	1	1	1	1	1						
9		7412103-00	PAPER PRPKG 132 COL	1	1	1	1	1	1						
10		ED17035-58	OPTION INSTALLATION	1	1	1	1	1	1						
11		3616799-01	LABEL, POWER RATING OEM	1	1	1	1	1	1						
12		3617326-00	LABEL, PACKAGING	1	1	1	1	1	1						

REF DESIGNATION

E.C.O. NO. **ORIG**
EN072

"THIS DRAWING AND SPECIFICATIONS, HEREIN, ARE THE PROPERTY OF DIGITAL EQUIPMENT CORPORATION AND SHALL NOT BE REPRODUCED OR COPIED OR USED IN WHOLE OR IN PART AS THE BASIS FOR THE MANUFACTURE OR SALE OF ITEMS WITHOUT WRITTEN PERMISSION. COPYRIGHT © DIGITAL EQUIPMENT CORPORATION"	TITLE USER'S KIT ASSEMBLY LA34/38	ASSY NO. B-PL-LA34-0-0	SIZE B	CODE PL	NUMBER 7017627-0-0	REV. A
		SHEET 1 OF 1	INSERTION PARTS LIST DATA BASE REV			